

- 2 cylinders
- 851 cm³
- 14 kW/19 HP
- 3600 r.p.m.
- Nm. 42@2200

Homologation

- EPA TIER 1 ■
- ECE R 24-03 ▲

Construction

- 4-stroke air cooled diesel engine
- Direct injection
- Flywheel fan air cooling
- Mechanical fuel feeding supplement
- Forced lubrication with oil pump
- Full flow oil filter with external cartridge
- Automatic mechanical fuel supplement
- Torque regulator
- Centrifugal speed governor
- Crankcase in die-cast aluminium
- Electric starting
- Counter-clockwise rotation (viewed from power take-off side)
- Aluminium alloy independent heads
- Re-forable independent cast-iron cylinders



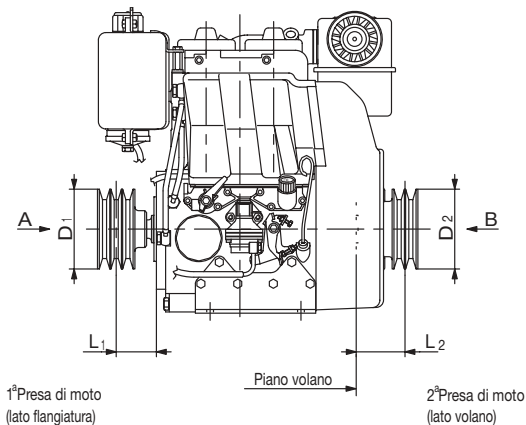
Applications

- Dumper
- Vibrating Roller
- Generating Set
- Welding Set
- High pressure cleaner
- Hydraulic power pack
- Agricultural pump
- Two-wheel tractor

Specifications

Cylinders	N.	2
Displacement	cm ³	851
Bore	mm	85
Stroke	mm	75
Compression ratio		19:1
Rating kW/HP	N (80/1269/CEE) ISO 1585	14/19
	NB ISO 3046 IFN	13/17.7
	NA ISO 3046 ICXN	12/16.3
Max. torque	Nm.	42@2200
Max. torque 3 P.T.O.	Nm.	18.0
Counterclockwise rotation		
Engine speed - 3 P.T.O. ratio		1:0.87
Minimum idling speed r.p.m.		1000
Fuel tank capacity	l	4
Oil consumption	kg/h.	0.0085
Oil sump capacity	l	1,8
Min. allowable oil pressure	bar	0.8
Max. allowable inclination for short periods of operation (peak values)		25° (35°)
Vol. of air required for correct combustion @ 3600/3000 r.p.m.	l/min.	1330/1110
Vol. of air required for correct cooling @ 3600/3000 r.p.m.	l/min.	14200/11835
Dry weight	kg	63
Recommended battery	V/Ah	12/55
Axial load	(continuous)	kg 100
	(intermittent)	kg 300

Minimum pulley diameters for belt drive



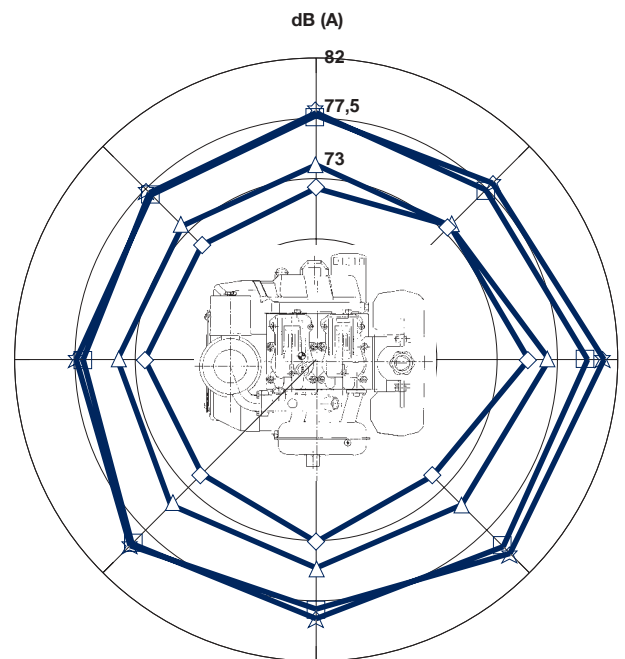
$$D_1 \text{ (mm)} \geq 700 [45+L_1 \text{ (mm)}] \quad \frac{N \text{ (kW)}}{n \text{ (RPM)}}$$

$$D_2 \text{ (mm)} \geq 1540 [17+L_2 \text{ (mm)}] \quad \frac{N \text{ (kW)}}{n \text{ (RPM)}}$$



Sound pressure level dB (A)

Sound level polar diagram open field - 7 meters microphone - no load running engine.

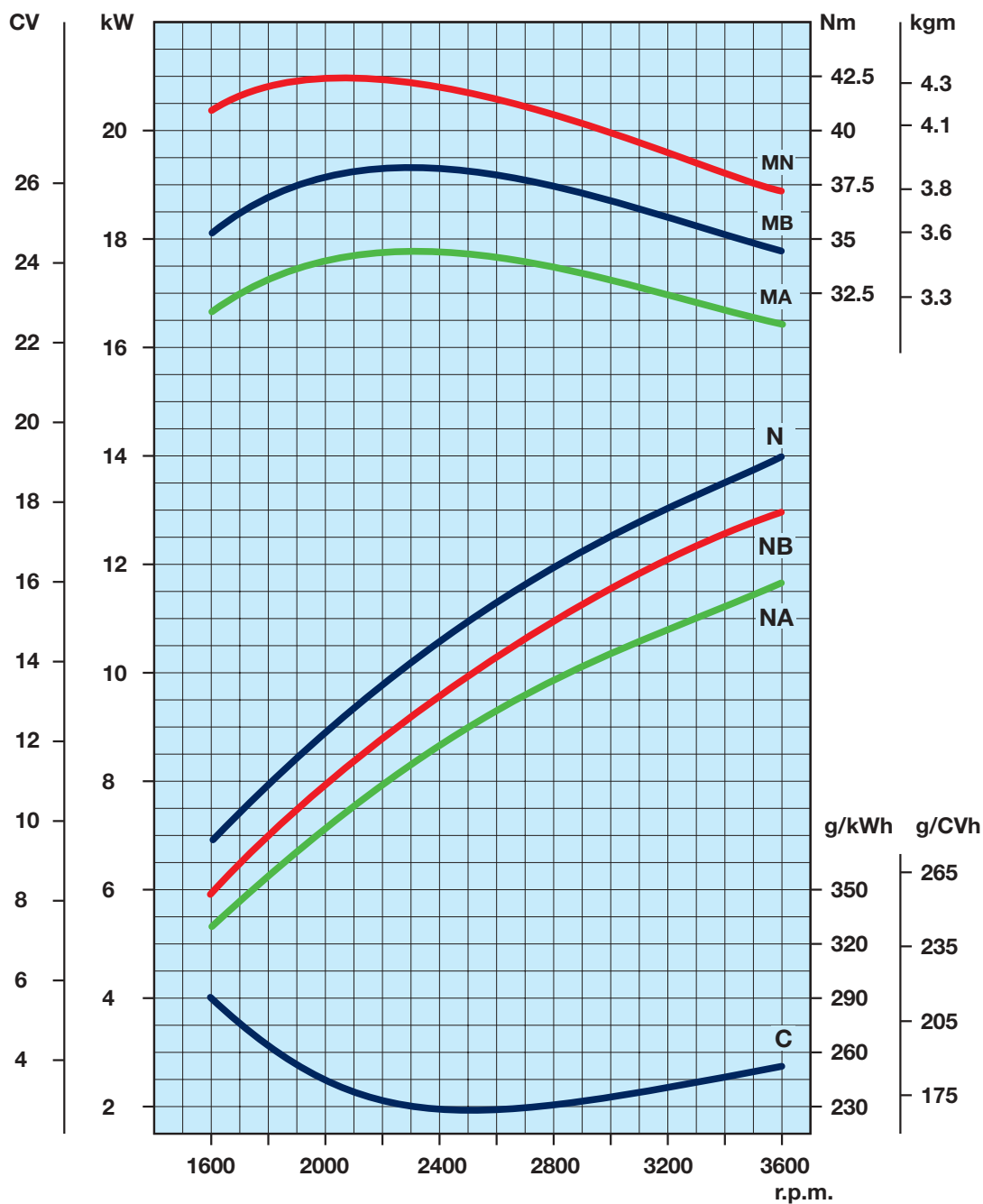


1500 RPM 2000 RPM 2500 RPM 3000 RPM

SERIE 25LD

Curves

25LD 425/2 @ 3600 r.p.m. ■



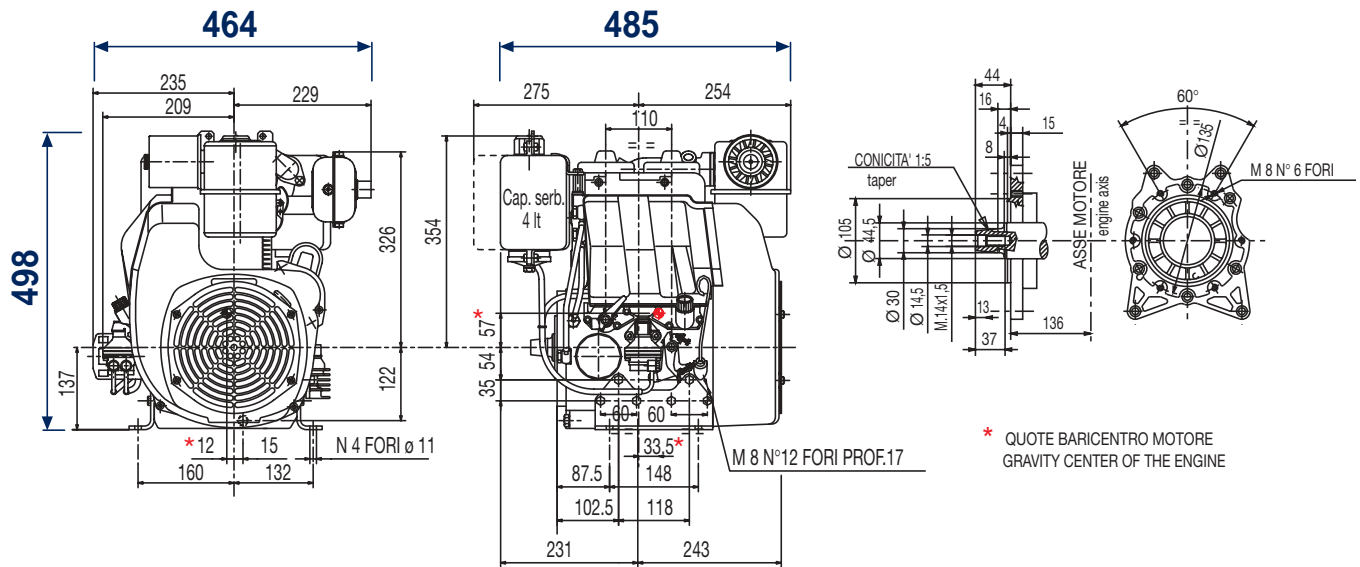
N	Power curve - 80/1269/CEE - ISO 1585 -
NB	Power curve - ISO 3046/1 - IFN -
NA	Power curve - ISO 3046/1 - ICXN -
MN	Torque curve - (N curve)
MB	(B curve - MA (A curve))
C	Specific fuel consumption - (NB curve)

Output power for fixed speed application (including generating sets)

Engine power kW

r.p.m.	Intermittent (NB)	Continuous (NA)
3600	13.0	12.0
3000	11.5	10.5

Technical drawings *



* More specific dimensions are available on www.lombardini.it (see table at the bottom of the page)

Standard equipment

- Electric starter with 12V alternator
- Black paint on sheet metal parts
- Remote throttle
- Oil bath air filter with prefilter
- External oil filter
- Oil pressure switch
- Combined manifold and exhaust muffler
- Engine feet
- Power take-off on crankshaft
- Keyswitch panel
- Fuel lift pump
- Counter-clockwise rotation on power take-off side
- Fuel tank with filter
- Automatic extra fuel device
- Oil cooler
- Use, maintenance and spare parts booklet

Accessories

- Different guards according to use
- Range of alternative alternators
- Compression release
- Flanges
- Dry air filter
- External fuel filter
- Clutches
- Range of flywheels for various clutches
- Hydraulic pump adapters
- Range of fuel tanks of various sizes
- Mufflers and exhaust pipes
- Controls
- Pulleys
- Varnishing



ISO 9001 Cert. n. 0446 - 1405
QS. 9000 Cert. n. 2231/0

LOMBARDINI

Via Cav. del Lavoro Adelmo Lombardini, 2
42100 Reggio Emilia - Italia
Tel. ++39 0522.3891 - Fax ++39 0522.389503
www.lombardini.it

Files for this product available on www.lombardini.it

Data sheet	25LD425DS.PDF
Owner manual	25LD425OM.PDF
Service manual	25LD425SM.PDF
Technical drawing	25LD425TD.DWG
Power curve	25LD425PC.PDF

LOMBARDINI RESERVES THE RIGHT TO MAKE MODIFICATIONS WITHOUT PRIOR NOTICE

mod. 51036/5