

TECHNICAL DATA SHEET



ALTERNATOR PRO22M G/4

Three-Phase brushless synchronous alternator with AVR - 4 poles

PRO22M G/4

COMMON DATA

Rated Power at 50Hz	kVA	160	
Rated Power at 60Hz	kVA	192	
Rated Power Factor		0,8	
Nominal Temperature	°C	40	
Control System		self-excited	
Execution		brushless	
Regulation Type		AVR	
Insulation Class		H	
Protection		IP23	
Maximum Over speed	rpm	2250	
Overload		110% of rated power for one hour in a cycle of 6 hours	
Air Flow Requirement	m ³ /min	22,1 at 50Hz	25,8 at 60Hz
R.F.I. Suppression		Standard EN55011	

REGULATION DATA

AVR	HVR11	HVR30
Sensing	single-phase	three-phase
Voltage Regulation	±1%	±1%
Sustained Short Circuit	> 300% of rated current	

WINDING DATA

Stator Winding	Double layer with auxiliary winding		
Rotor Winding	with damping cage		
Winding Pitch	2/3		
Number of Leads of Stator	6		
Stator Winding Resistance	Ω	0,0192 at 20°C	
Rotor Winding Resistance	Ω	4,22 at 20°C	
Exciter Stator Resistance	Ω	14,3 at 20°C	
Exciter Rotor Resistance	Ω	0,47 at 20°C	
THD at full load	<3%		
THD at no load	<3%		
Excitation at no load	A _{dc}	1,06	
Excitation at full load	A _{dc}	2,6	

STANDARD

References	EN60034-1 ISO8528-3 EN55011
------------	-----------------------------

ON REQUEST

UL 1446, Systems of Insulating Materials - General CSA-C22.2 No. 0, Appendix B, General Requirements - Canadian Electrical Code, Part I

CAN/CSA - C22.2 No. 100-14 (R2009) Motors and Generators, UL1004-1 2nd ed. Rotating Electrical Machines - General Requirements, UL1004-4 2nd ed. Electric Generators

PRO22M G/4

ELECTRICAL DATA											
Frequency		50Hz - 1500rpm					60Hz - 1800rpm				
Voltage	V	Double Delta	Series High Wye Parallel Low Wye			Double Delta	Series High Wye Parallel Low Wye				
		115/230	380/220 190/110	400/230 200/115	415/240 208/120	440/254 220/127	138/277	415/240 208/120	440/254 220/127	460/266 230/133	480/277 240/154
Rated Power in Class H (125°C/40°C)	kVA	104	160	160	155	130	125	165	180	192	192
	kW	83,2	128	128	124	104	100	132	144	153,6	153,6
Rated Power in Class F (105°C/40°C)	kVA	95	147	147	140	120	114	150	165	176	176
	kW	76	117,6	117,6	112	96	91,2	120	132	140,8	140,8
Rated Power Standby (150°C/40°C)	kVA	114	175	175	170	150	136	180	200	210	210
	kW	91,2	140	140	136	120	108,8	144	160	168	168
Rated Power Standby (163°C/27°C)	kVA	117	180	180	175	155	143	190	210	220	220
	kW	93,6	144	144	140	124	114,4	152	168	176	176

EFFICIENCY IN CL. H											
4/4				93,1%							93,5%
3/4				93,3%							93,8%
2/4				91,5%							92,0%
1/4				88,8%							90,1%

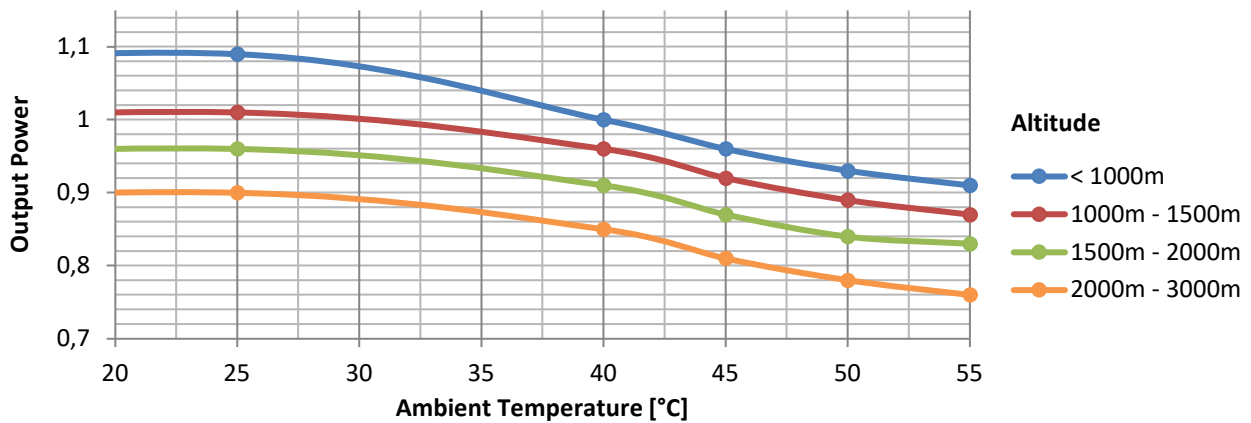
REACTANCES AND TIME CONSTANTS											
pcc			0,69								
X _d	- dir. axis synchronous	266%	240%	216%	161%		276%	268%	261%	240%	
X' _d	- dir. axis transient	17,7%	16,0%	14,4%	10,7%		18,4%	17,9%	17,4%	16,0%	
X'' _d	- dir. axis subtransient	8,9%	8,0%	7,2%	5,4%		9,2%	8,9%	8,7%	8,0%	
X _q	- quad. axis reactance	199%	180%	162%	121%		207%	201%	196%	180%	
T' _{do}	- O.C. field time constant						310ms				
T' _d	- Transient time constant						23ms				
T'' _d	- Sub-transient time constant						10ms				

MECHANICAL DATA											
Bearing non drive end		6309-2RS-C3									
Bearing drive end (B3/B14 form)		6314-2RS-C3									
Weight of generator	in B2	kg	499								
	in B3/B14	kg	501								
	in B3/B9	kg	\								

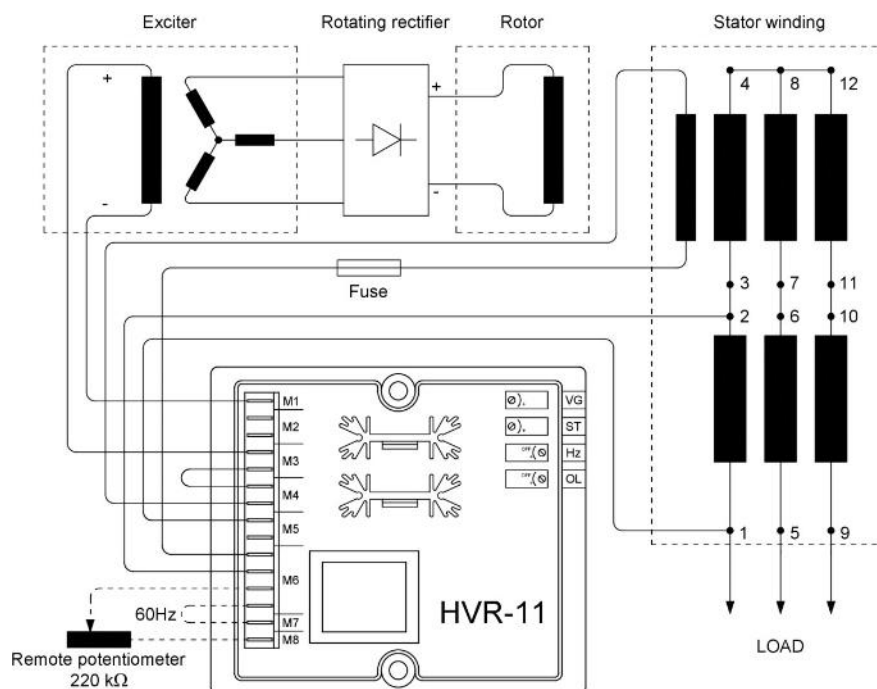
PRO22M G/4

MOMENT OF INERZIA

B3/B9	kg·m ²	\
SAE 7½	kg·m ²	\
SAE 8	kg·m ²	\
SAE 10	kg·m ²	\
SAE 11½	kg·m ²	1,480
SAE 14	kg·m ²	1,628
SAE 18	kg·m ²	\
B3/B14	kg·m ²	1,402



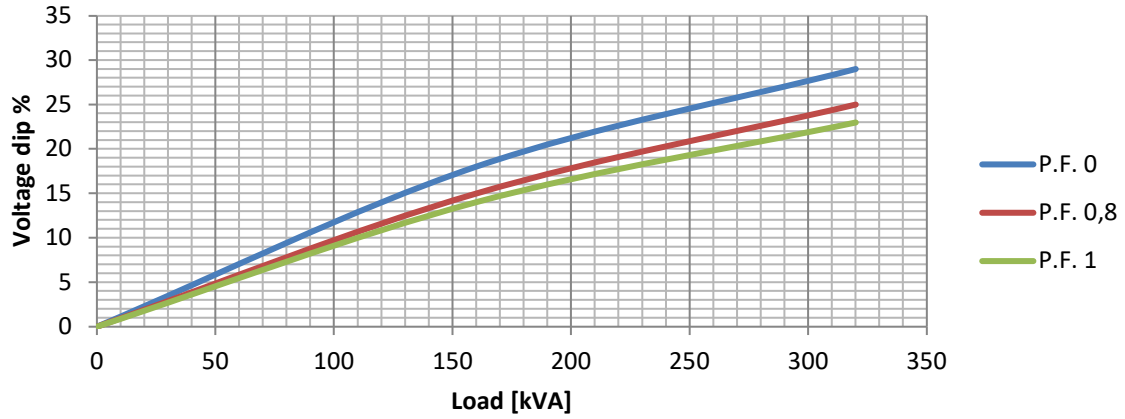
WIRING DIAGRAM



PRO22M G/4

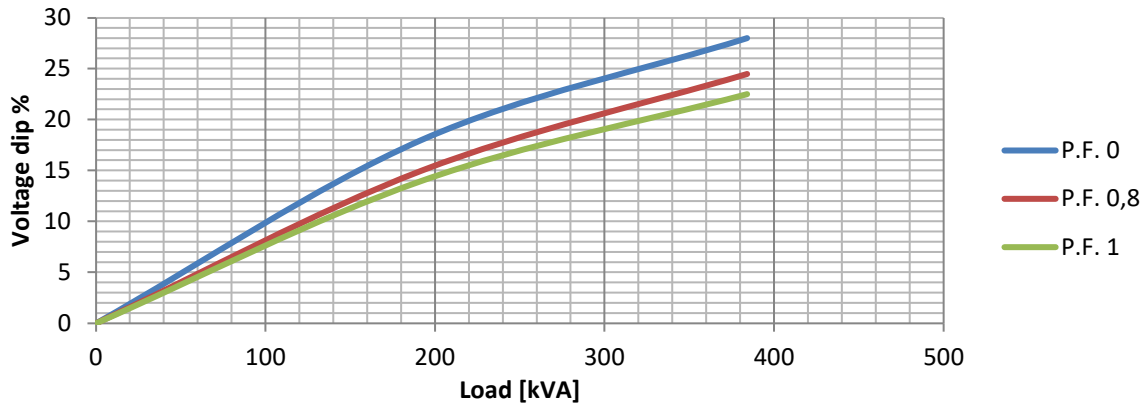
TRANSIENT VOLTAGE VARIATION 50Hz

Transient Voltage Variation @ 50Hz



TRANSIENT VOLTAGE VARIATION 60Hz

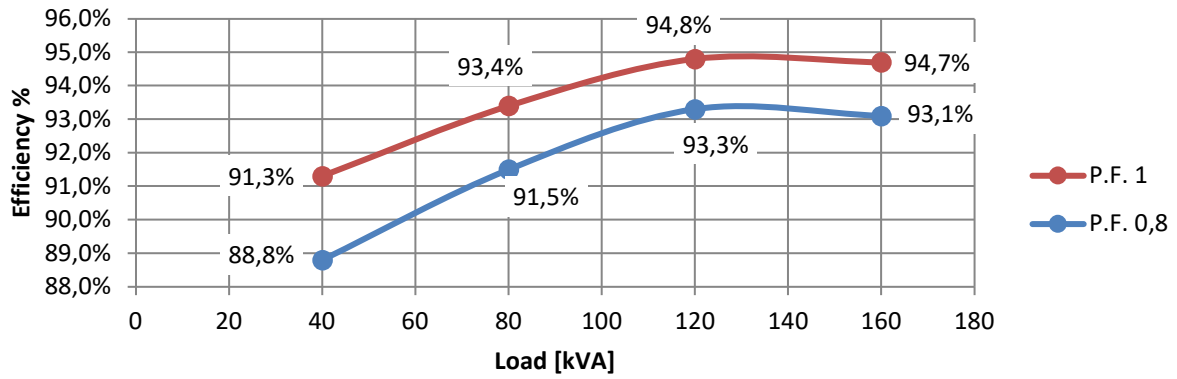
Transient Voltage Variation @ 60Hz



PRO22M G/4

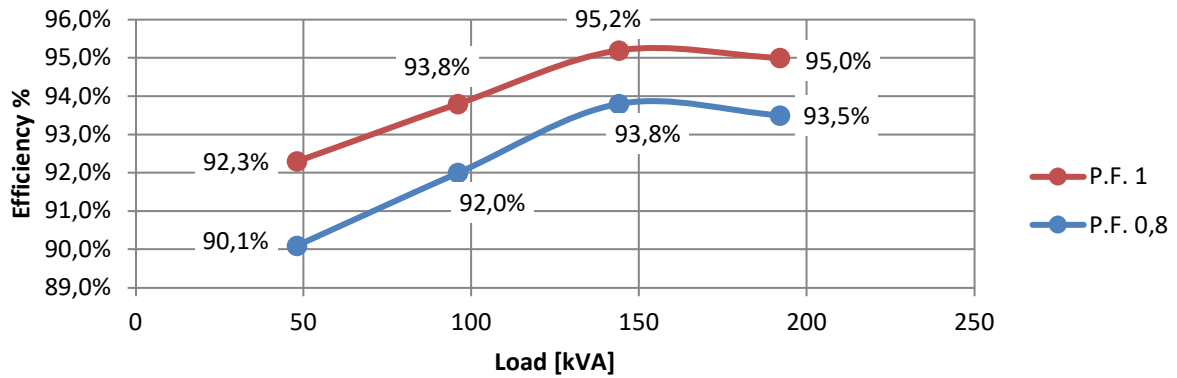
EFFICIENCY 50Hz

Efficiency Curves @ 50Hz



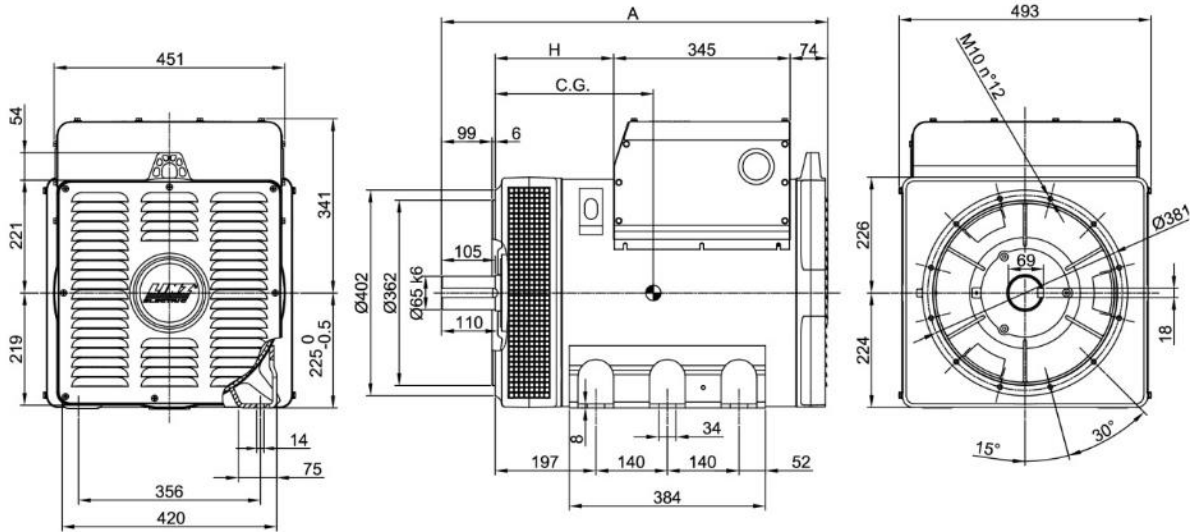
EFFICIENCY 60Hz

Efficiency Curves @ 60Hz

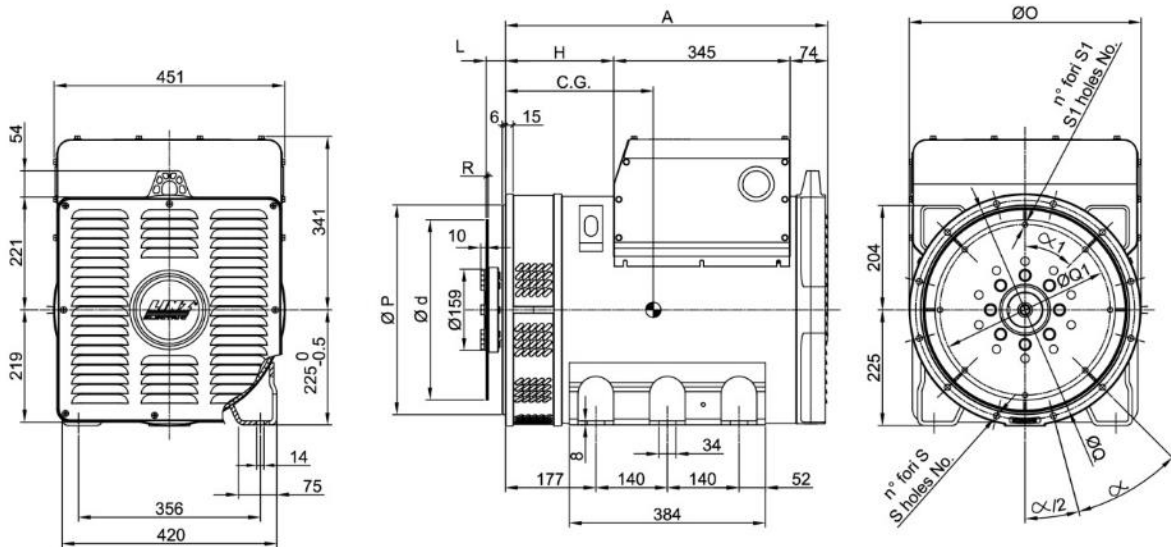


PRO22M G/4

FORMA - FORM B3/B14



FORMA - FORM SAE



FORMA - FORM		A	H
B3/B14	PRO 22S	756	232
	PRO 22M	886	362
SAE	PRO 22S	631	212
	PRO 22M	761	342

TIPO - TYPE	C.G.
PRO22S A/4 B3/B14	284
PRO22S B/4 B3/B14	293
PRO22S C/4 B3/B14	299
PRO22S D/4 B3/B14	313
PRO22M E/4 B3/B14	359
PRO22M F/4 B3/B14	377

TIPO - TYPE	C.G.
PRO22S A/4 SAE	270
PRO22S B/4 SAE	279
PRO22S C/4 SAE	285
PRO22S D/4 SAE	298
PRO22M E/4 SAE	344
PRO22M F/4 SAE	362

SAE N.	FLANGIE - FLANGES - BRIDAS					
	Ø O	Ø P	Ø Q	n. fori holes No.	S	α
3	454	409.6	428.6	12	12	30°
2	492	447.68	466.7			
1	552	511.18	530.2			

SAE N.	GIUNTI A DISCO - COUPLING DISCS - JUNTAS A DISCOS						
	L	Ø d	Ø Q1	n. fori holes No.	S1	α1	R
11 1/2	39.6	352.42	333.37	8	10.5	45°	6
14	25.4	466.72	438.15	8	14	45°	