



GENERATOR TYPE HCO38 2S26 A

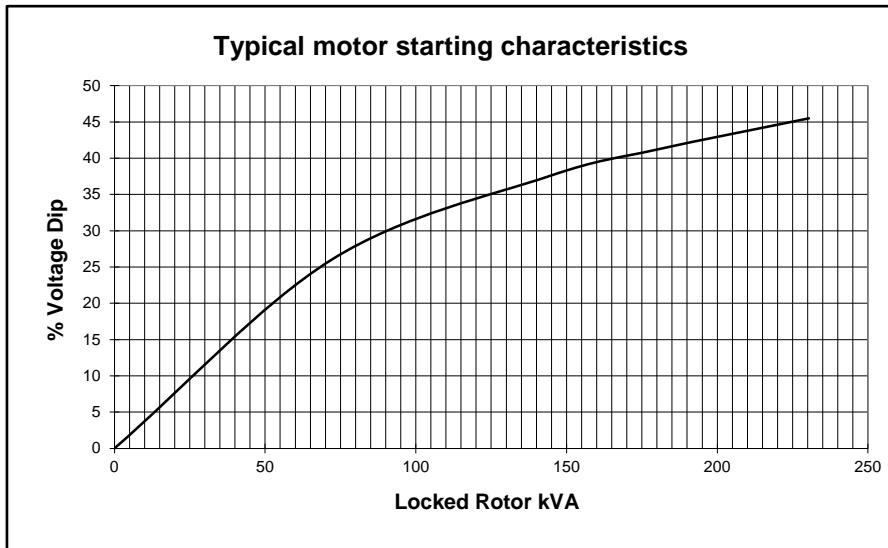
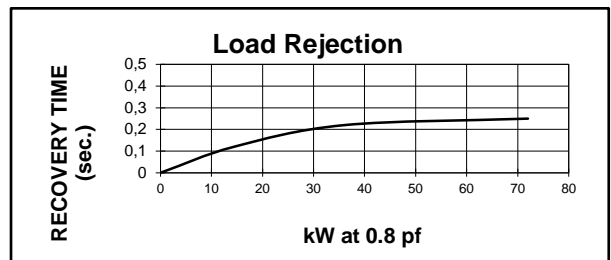
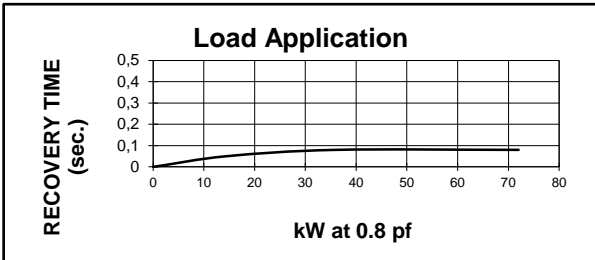
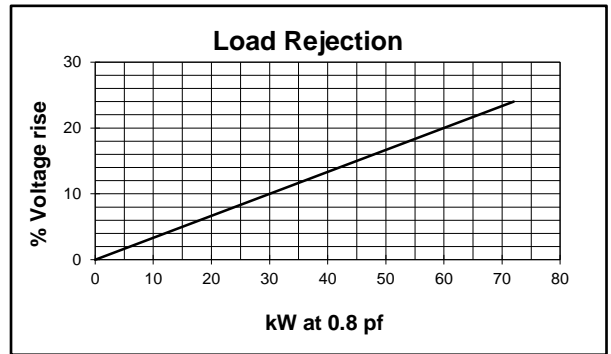
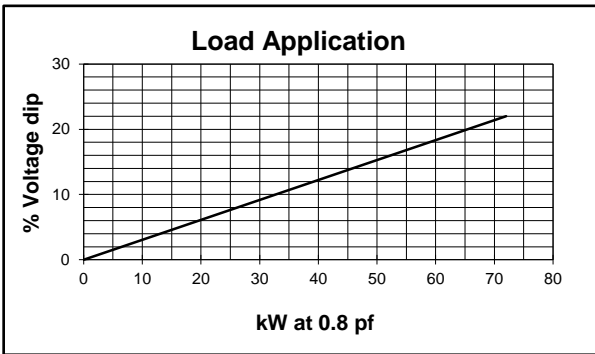
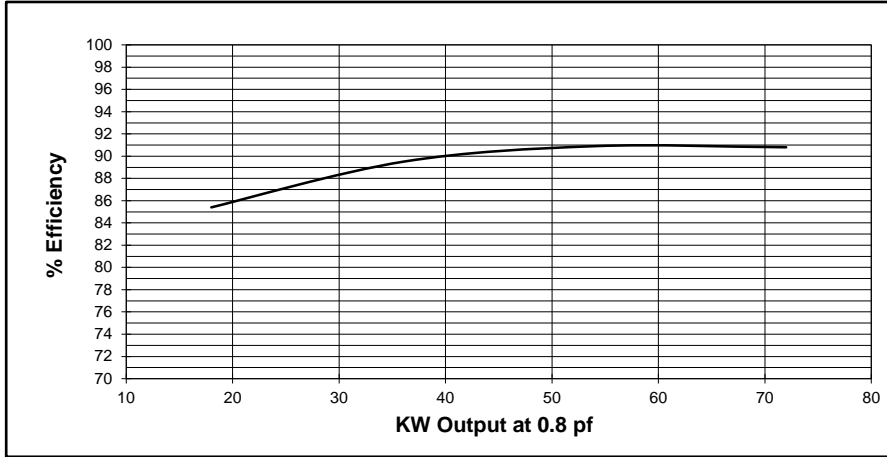
Document : DS432A/1
issue 002 date 07/05/2018

Electrical Characteristics			
Frequency	Hz		400
Voltage (star)	V		208
Rated power class H (125°C)	kVA		90
	kW		72
Rated power class F (105°C)	kVA		85
	kW		68
Rated power class B (80°C)	kVA		72
	kW		58
Regulation with	UVR6/1-H400B	±1% with any power factor and speed variations between -5% +30%	
Insulation class		H	
Execution		Brushless	
Stator winding		12 ends	
Submittal Data : 208V, 90KVA, 1846RPM, 400Hz, 3 Phase			MIL-STD-705C
Efficiencies	4/4	%	90,8
(see graph. for details)	3/4	%	90,9
	2/4	%	89,5
	1/4	%	85,4
Reactances	X _d	p.u.	0,72
	X _d '	p.u.	0,27
	X _d "	p.u.	0,22
	X _q	p.u.	0,64
	X _q '	p.u.	0,64
	X _q "	p.u.	0,30
	X ₂	p.u.	0,21
	X ₀	p.u.	0,08
Short Circuit Ratio	K _{cc}		1,62
Time Constants	T _d '	sec.	0,05
	T _d "	sec.	0,010
	T _{do} '	sec.	0,55
	T _α	sec.	0,11
Short Circuit Current Capacity		%	>300
Excitation at no load		Amp.	0,95
Excitation at full load		Amp.	2,5
Overload (long-term)		%	1 hour in a 6 hours period 110% rated load
Overload per 20 sec.		%	300
Stator Winding Resistance (20°C)		Ω	0,006
Rotor Winding Resistance (20°C)		Ω	4,2
Exciter Resistance (20 °C)		Ω	Rotor : 0,682 Stator : 14,40
Heat dissipation		W	7295
Telephone Interference			Not Applicable
Radio interference			EN61000-6-3 EN61000-6-1. For others standards apply to factory
Waveform Distors.(THD) at f. load		% LL	3,2
Individual harmonic max. at f. load		% LL	2,5
Insulation resistance		MΩ	> 2
High Potential Test	Volts		Main Stator : 2000 Main Rotor : 1500
	Volts		Exciter Stator : 1500 Exciter Rotor : 1500
Phase sequence			1 - 5 - 9
Mechanical characteristics			
Protection			IP 23 (other protection on request)
DE bearing			6318.2RS
NDE bearing			6314.2RS
Weight of complete generator		kg	580
Synchronous Speed		rpm	1846
Maximun overspeed		rpm	2307
Cooling air requirement		m³/min	38
Noise level at 1m/7m		dB(A)	85 / 72

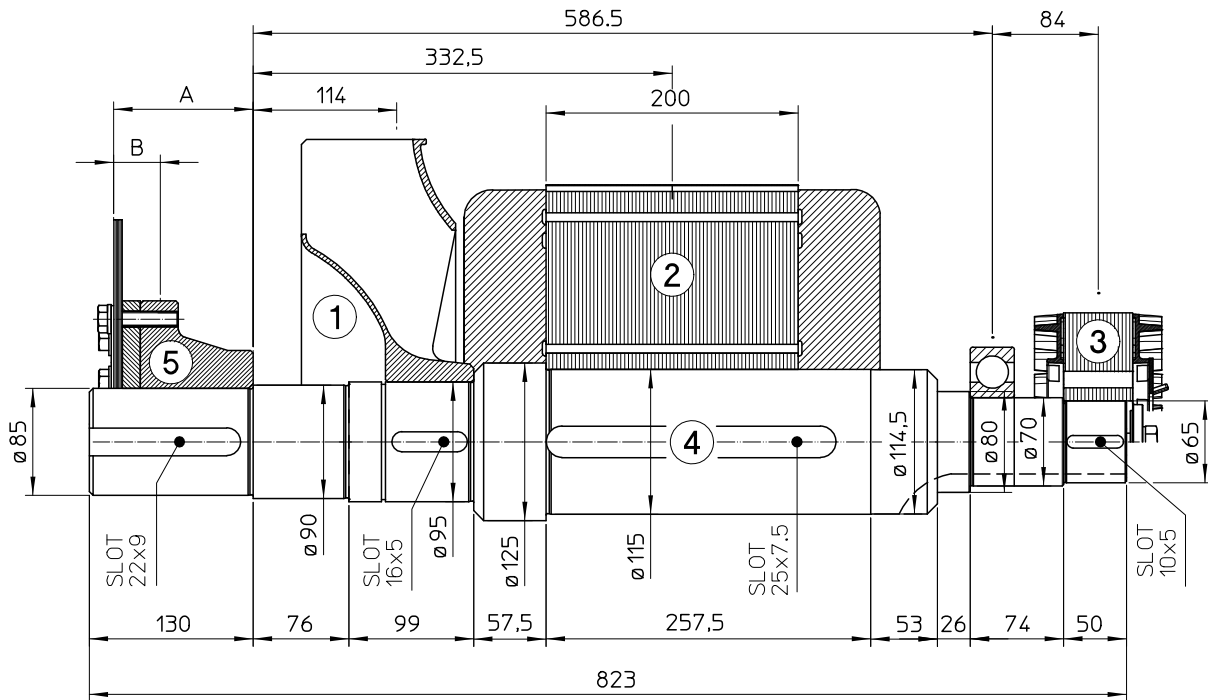
All technical data are to be considered as a reference and they can be modified without any notice.

This document is a propriety of Mecc Alte S.p.a..All rights reserved.

208V - 400Hz



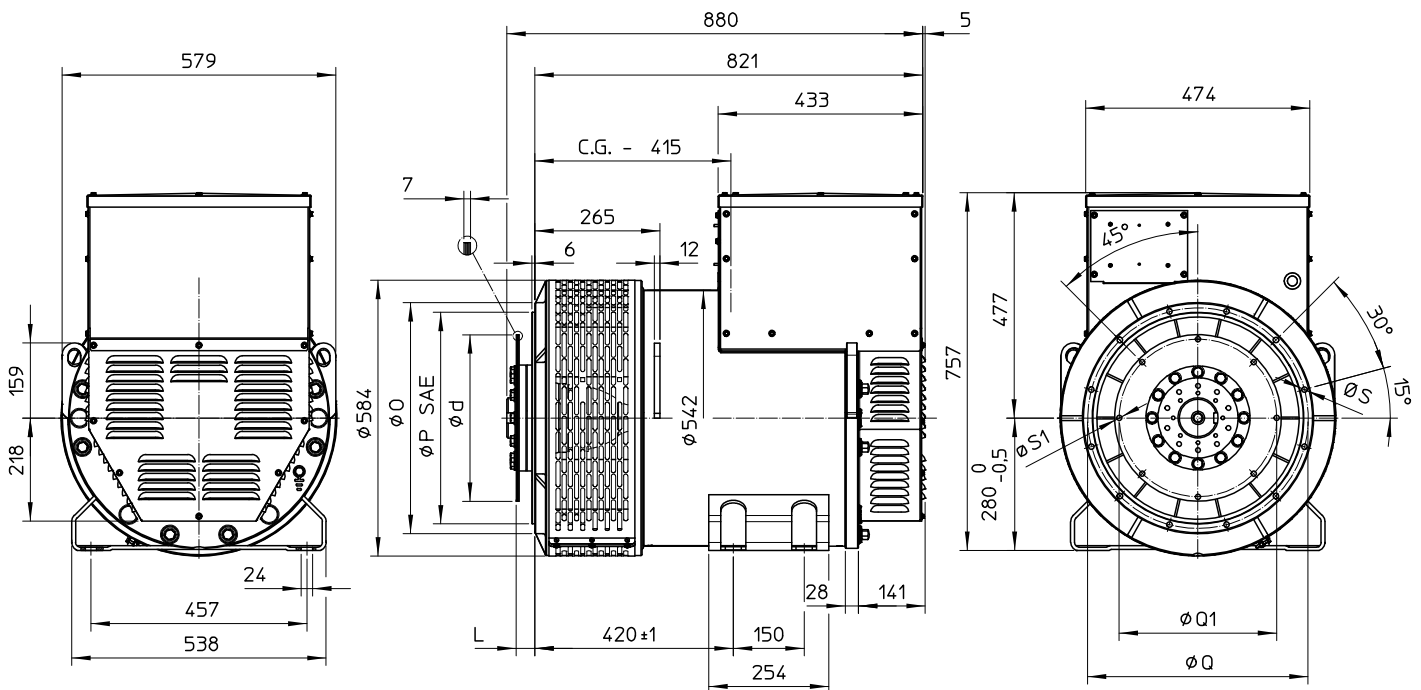
SINGLE BEARING MOMENTS OF INERTIA



POS.	COMPONENT	WEIGHT (kg)	J (kgm ²)
1	FAN	6.5	0.1532
2	MAIN ROTOR	183.3	4.3993
3	EX. ROTOR	14.9	0.0977
4	SHAFT	49.5	0.0687
TOTAL		254.3	4.7189

SAE N°	5 SHAFTS COUPLING FLEX PLATE			
	A	B	WEIGHT kg	J kgm ²
11.5	110.4	37	19.5	0.170
14	96.4	24	22.2	0.329

SINGLE BEARING DIMENSIONS



SAE N.	FLANGIA / LANGE BRIDE / FLANSCH			
	O	P	Q	S
3	451	409.6	428.6	11
2	490	447.7	466.7	11
1	552	511.2	530.2	11
1/2	648	584.2	619.1	14

SAE N.	GIUNTI A DISCHI / DISC COUPLING			
	d	L	Q1	S1
11 1/2	352.42	39.6	333.37	11
14	466.72	25.4	438.15	13.5

C.G.= GRAVITY CENTER