

TECHNICAL DATA SHEET



**ALTERNATOR E2W10 220DC-K**

*DC welder with brushes and compound*

## E2W10 220DC-K

### COMMON DATA

Rated Power at 50Hz	kVA	9	
Rated Power at 60Hz	kVA	11	
Rated Power Factor		0,8	
Nominal Temperature	°C	40	
Control System		self-excited	
Execution		with brushes	
Insulation Class		H	
Protection		IP21	
Maximum Over speed	rpm	4500	
Overload		110% of rated power for one hour in a cycle of 6 hours	
Air Flow Requirement	m <sup>3</sup> /min	3,6 at 50Hz	4,5 at 60Hz
R.F.I. Suppression		Standard EN55011	

### REGULATION DATA

Regulation		Compound
Voltage Regulation		±4%

### WINDING DATA

Rotor Winding		with damping cage
Number of Leads of Stator		6
Stator Winding Resistance	Ω	1,34 at 20°C
Rotor Winding Resistance	Ω	23,5 at 20°C

### STANDARD

References		EN60034-1 ISO8528-3 EN55011
------------	--	-----------------------------

## E2W10 220DC-K

### ELECTRICAL DATA

No load voltage	V <sub>AC</sub>	76
Welding voltage	V <sub>AC</sub>	20-29
Regulation range	A <sub>AC</sub>	40-220
Max. current at 35%	A <sub>AC</sub>	220
Max. current at 60%	A <sub>AC</sub>	170
Max. current at 100%	A <sub>AC</sub>	130
Stator Winding Resistance	Ω	0,038 at 20°C
Electrodes type		basic; cellulosic; inox, rutile
Electrodes diameter	mm	1 - 4

### MECHANICAL DATA

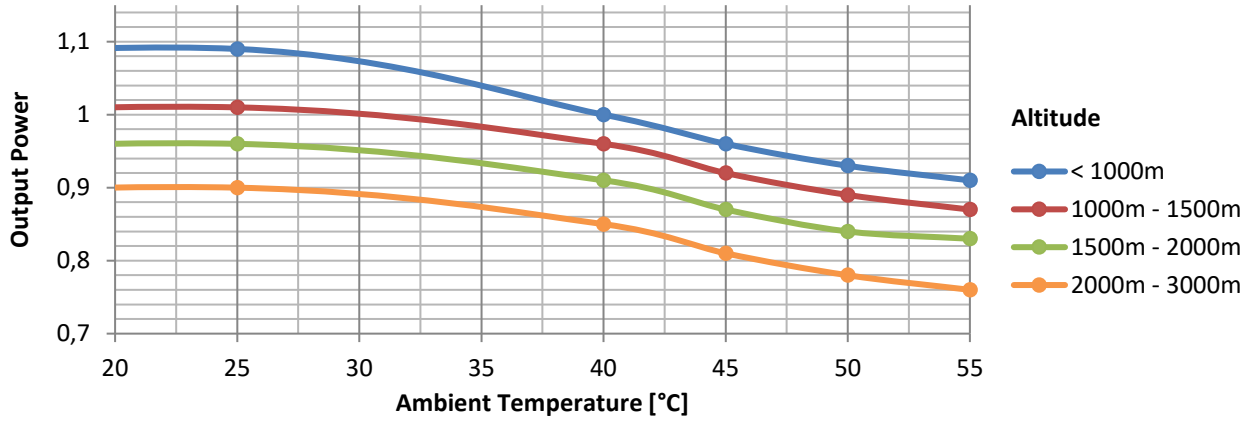
Bearing non drive end		6204-2Z-C3	
Bearing drive end (B3/B14 form)		6305-2Z-C3	
Weight of generator	in B2	kg	\
	in B3/B14	kg	47,2
	in B3/B9	kg	46,5

### MOMENT OF INERZIA

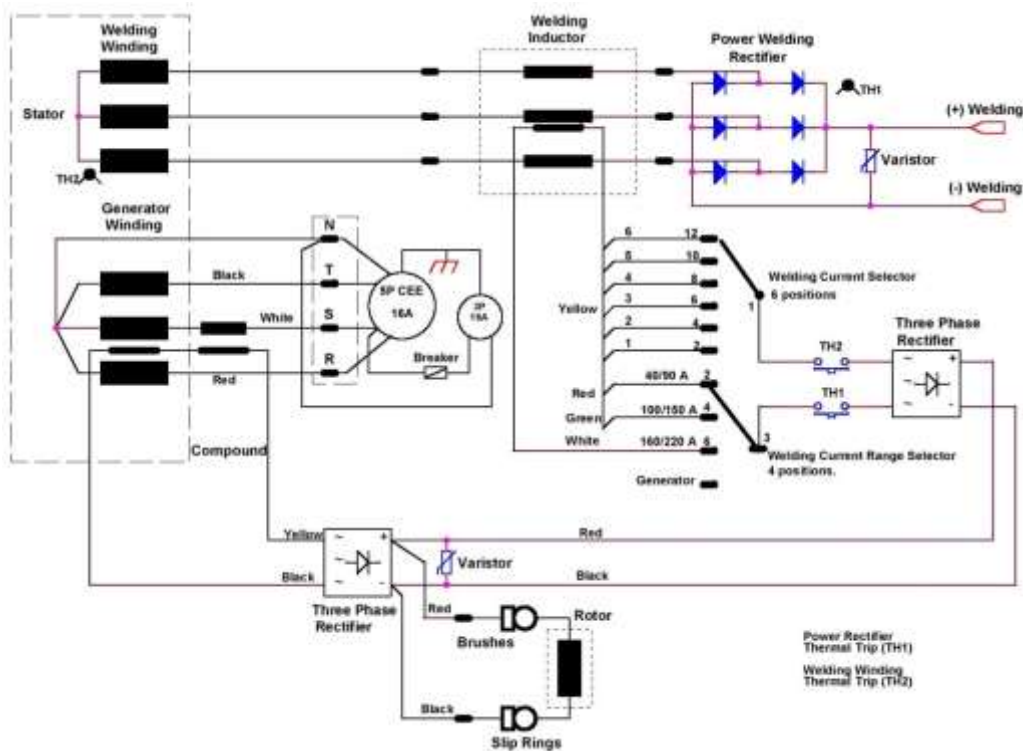
B3/B9	kg·m <sup>2</sup>	0,022
B3/B14	kg·m <sup>2</sup>	0,022

# E2W10 220DC-K

## DERATING CURVES

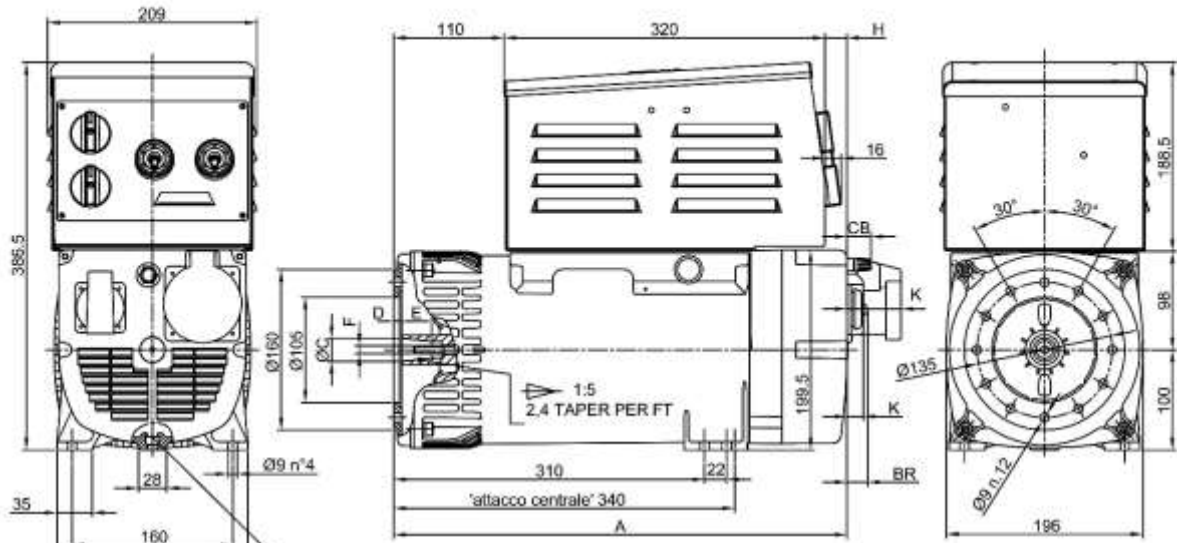


## WIRING DIAGRAM



# E2W10 220DC-K

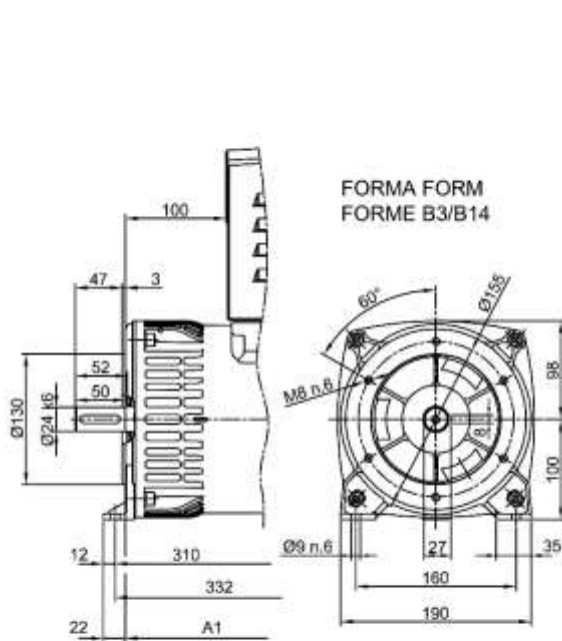
FORMA FORM FORME B3/B9



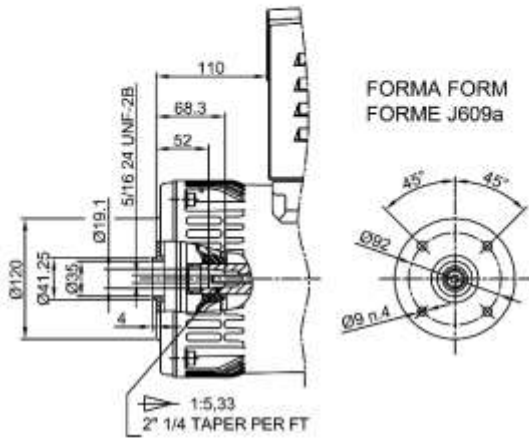
DADO-NUT-ECROU-MUTTER  
TUERCA-M8 UNI 5587  
5/16x24 ANSI B18.2.2

TPO TYPE TYP	A	A1	H
E2W10 180DC	431	421	1
E2W10 220DC - 220DCK	453	443	23

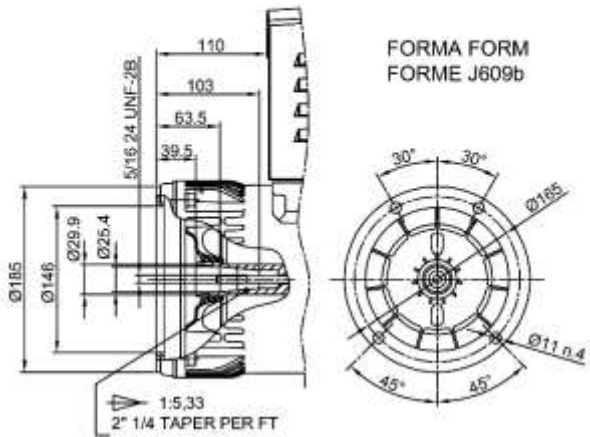
FORMA FORM FORME FORME FORM FORMA	ØC	D	E	F
cono Ø23	Ø23	8	25	M8
cono Ø30	Ø30	16	30	M14x1.5



FORMA FORM  
FORME FORME  
FORME B3/B14



FORMA FORM  
FORME FORME  
FORME J609a



FORMA FORM  
FORME FORME  
FORME J609b

PRESE - SOCKETS	K
SCHUKO	16
CEE	52
BREAKER	BR
	20.5
CARICA BATTERIE BATTERY CHARGER	CB
	24