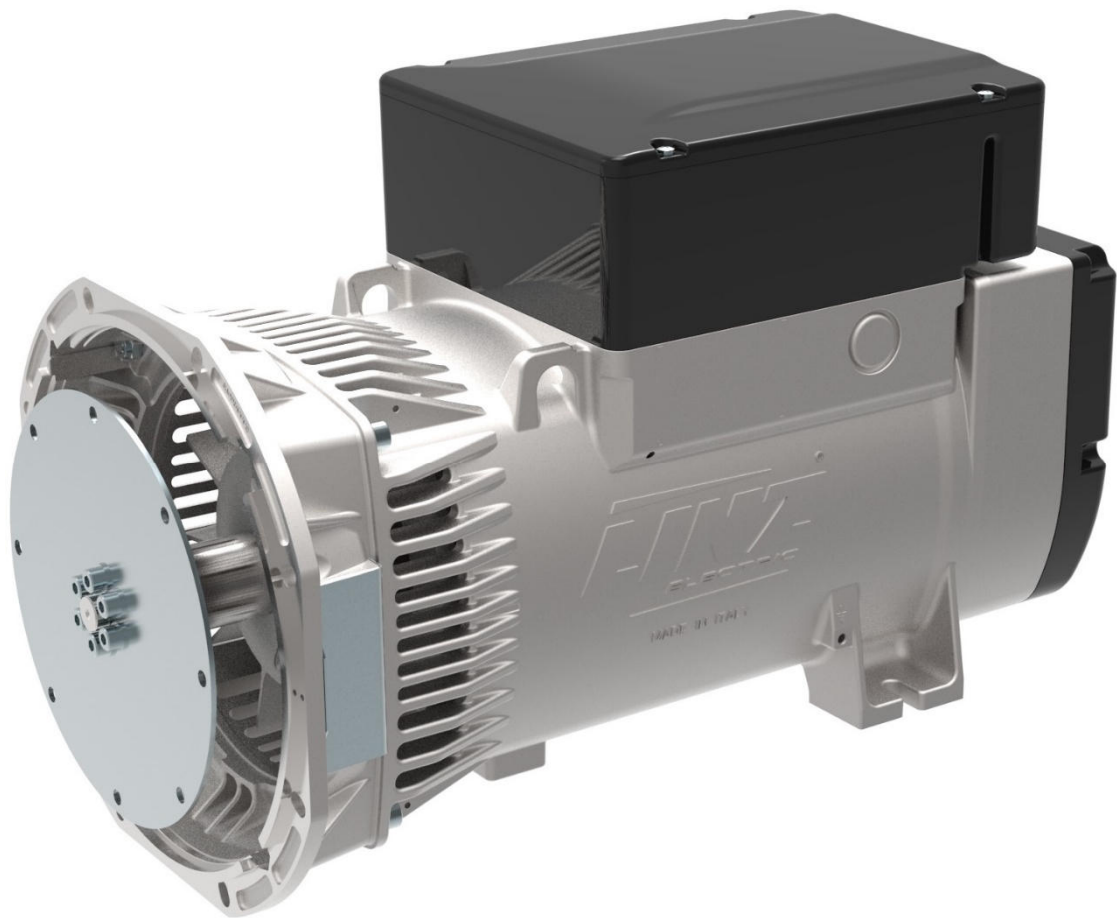


TECHNICAL DATA SHEET



ALTERNATOR E1X13M D/2

Three-Phase brushless synchronous alternator with AVR - 2 poles

E1X13M D/2

COMMON DATA

Rated Power at 50Hz	kVA	16,0	
Rated Power at 60Hz	kVA	19,5	
Rated Power Factor		0,8	
Nominal Temperature	°C	40	
Control System		self-excited	
Execution		brushless	
Regulation Type		AVR	
Insulation Class		H	
Protection		IP21	
Maximum Over speed	rpm	4500	
Overload		110% of rated power for one hour in a cycle of 6 hours	
Air Flow Requirement	m ³ /min	5,0 at 50Hz	6,0 at 60Hz
R.F.I. Suppression		Standard EN55011	

REGULATION DATA

AVR	HVR11	HVR30
Sensing	single-phase	three-phase
Voltage Regulation	±1%	±1%
Sustained Short Circuit	> 300% of rated current	

WINDING DATA

Stator Winding	Double layer with auxiliary winding	
Rotor Winding	with damping cage	
Winding Pitch	2/3	
Number of Leads of Stator	12	
Stator Winding Resistance	Ω	0,43 at 20°C
Rotor Winding Resistance	Ω	12 at 20°C
Exciter Stator Resistance	Ω	16,5 at 20°C
Exciter Rotor Resistance	Ω	2,15 at 20°C
THD at full load	<3%	
THD at no load	<3%	
Excitation at no load	A _{dc}	0,14
Excitation at full load	A _{dc}	1,06

STANDARD

References	EN60034-1 ISO8528-3 EN55011
------------	-----------------------------

ON REQUEST

UL 1446, Systems of Insulating Materials - General CSA-C22.2 No. 0, Appendix B, General Requirements - Canadian Electrical Code, Part I
 CAN/CSA - C22.2 No. 100-14 (R2009) Motors and Generators, UL1004-1 2nd ed. Rotating Electrical Machines - General Requirements, UL1004-4 2nd ed. Electric Generators

E1X13M D/2

ELECTRICAL DATA

Frequency		50Hz - 3000rpm					60Hz - 3600rpm				
Voltage	V	Double Delta	Series High Wye Parallel Low Wye			Double Delta	Series High Wye Parallel Low Wye				
		115/230	380/220 190/110	400/230 200/115	415/240 208/120	440/254 220/127	120/240	415/240 208/120	440/254 220/127	460/266 230/133	480/277 240/154
Rated Power in Class H (125°C/40°C)	kVA	10,4	16,0	16,0	16,0	13,0	11,0	17,0	19,0	19,5	19,5
	kW	8,32	12,8	12,8	12,8	10,4	8,8	13,6	15,2	15,6	15,6
Rated Power in Class F (105°C/40°C)	kVA	9,6	14,7	14,7	14,7	12,0	10,0	15,5	17,4	18,0	18,0
	kW	7,68	11,76	11,76	11,76	9,6	8,0	12,4	13,92	14,4	14,4
Rated Power Standby (150°C/40°C)	kVA	11,0	17,4	17,4	17,4	13,8	11,8	18,2	20,5	21,0	21,0
	kW	8,8	13,92	13,92	13,92	11,04	9,44	14,56	16,4	16,8	16,8
Rated Power Standby (163°C/27°C)	kVA	11,6	18,0	18,0	17,0	14,2	12,3	19,0	21,0	22,0	22,0
	kW	9,28	14,4	14,4	13,6	11,36	9,84	15,2	16,8	17,6	17,6

EFFICIENCY IN CL. H

4/4			85,0%							85,5%
3/4			85,3%							85,7%
2/4			81,6%							80,2%
1/4			77,3%							76,3%

REACTANCES AND TIME CONSTANTS

pcc			0,42							
X _d	- dir. axis synchronous	427%	385%	358%	259%		449%	446%	419%	385%
X' _d	- dir. axis transient	33,2%	30,0%	27,9%	20,1%		35,0%	34,8%	32,7%	30,0%
X'' _d	- dir. axis subtransient	11,1%	10,0%	9,3%	6,7%		11,7%	11,6%	10,9%	10,0%
X _q	- quad. axis reactance	255%	230%	214%	154%		268%	267%	250%	230%
T' _{do}	- O.C. field time constant	390ms								
T' _d	- Transient time constant	30ms								
T'' _d	- Sub-transient time constant	8,8ms								

MECHANICAL DATA

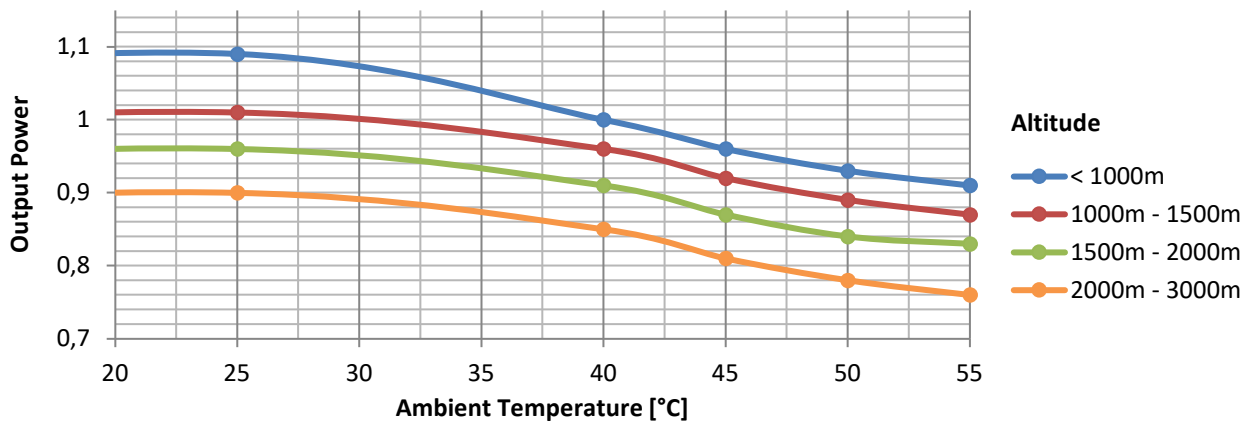
Bearing non drive end				6305-2Z-C3
Bearing drive end (B3/B14 form)				6208-2Z-C3
Weight of generator	in B2	kg		90,0
	in B3/B14	kg		85,9
	in B3/B9	kg		\

E1X13M D/2

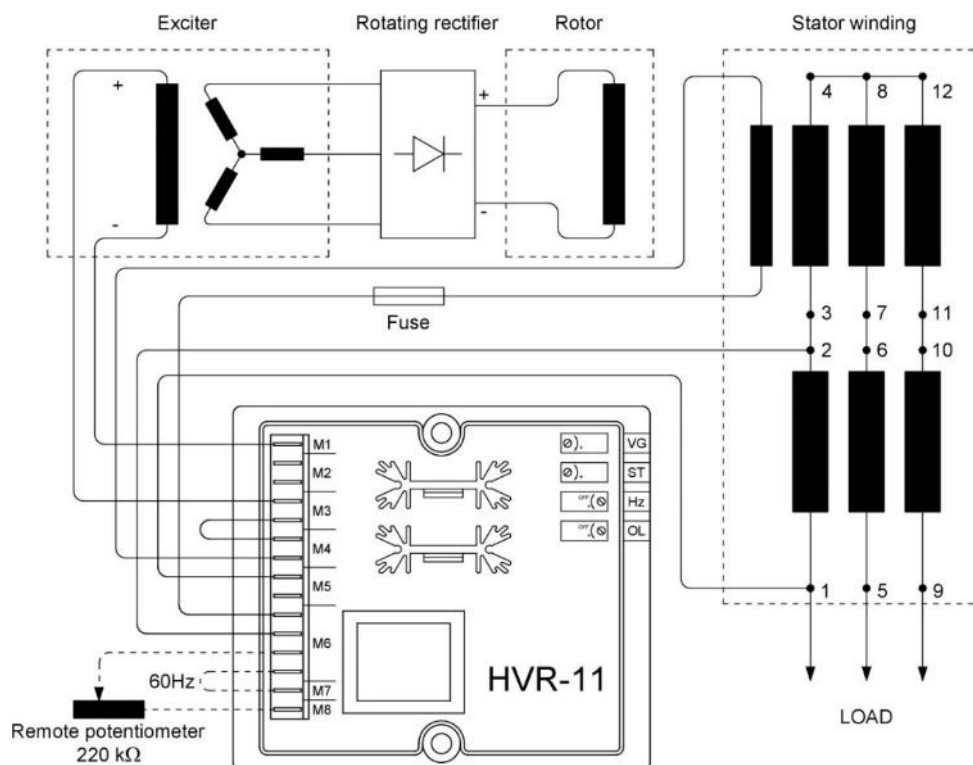
MOMENT OF INERZIA

B3/B9	kg·m ²	\
SAE 7½	kg·m ²	0,082
B2	kg·m ²	0,081

DERATING CURVES



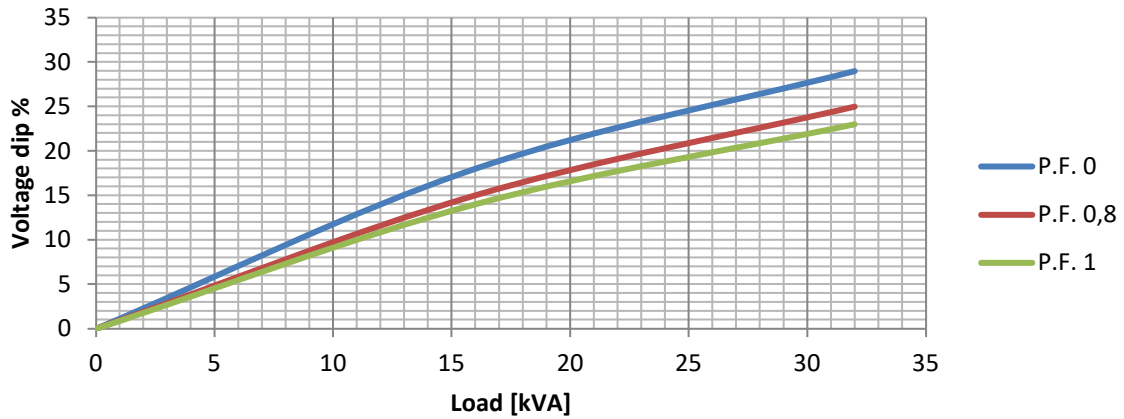
WIRING DIAGRAM



E1X13M D/2

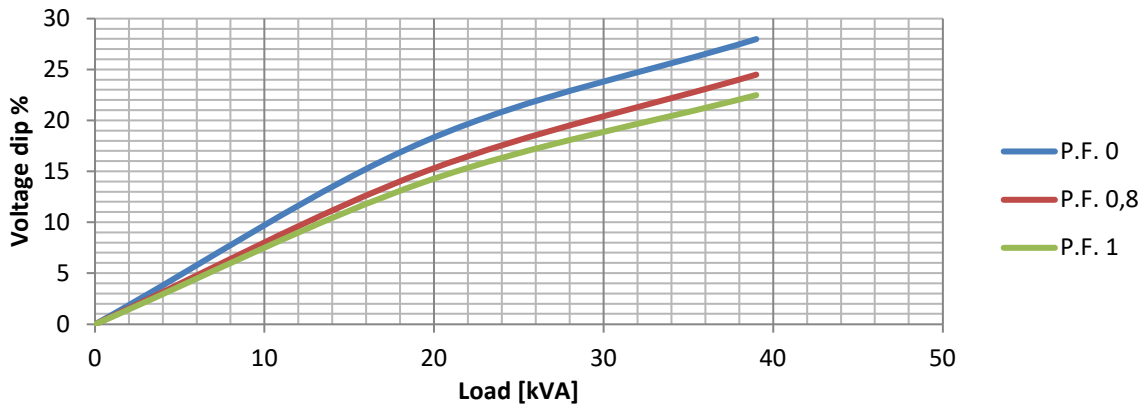
TRANSIENT VOLTAGE VARIATION 50Hz

Transient Voltage Variation @ 50Hz



TRANSIENT VOLTAGE VARIATION 60Hz

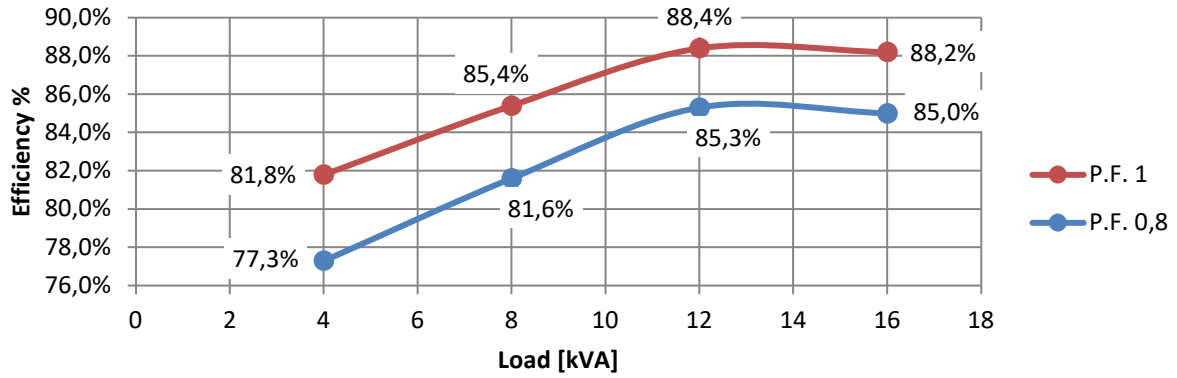
Transient Voltage Variation @ 60Hz



E1X13M D/2

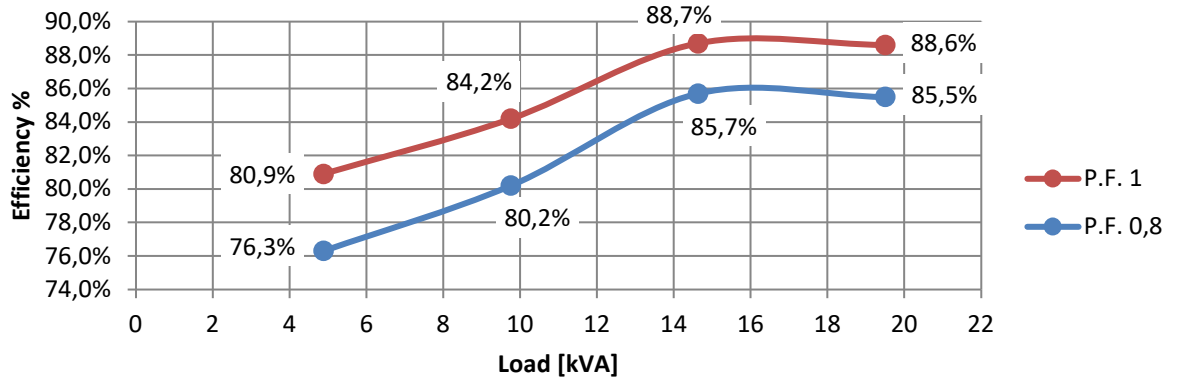
EFFICIENCY 50Hz

Efficiency Curves @ 50Hz



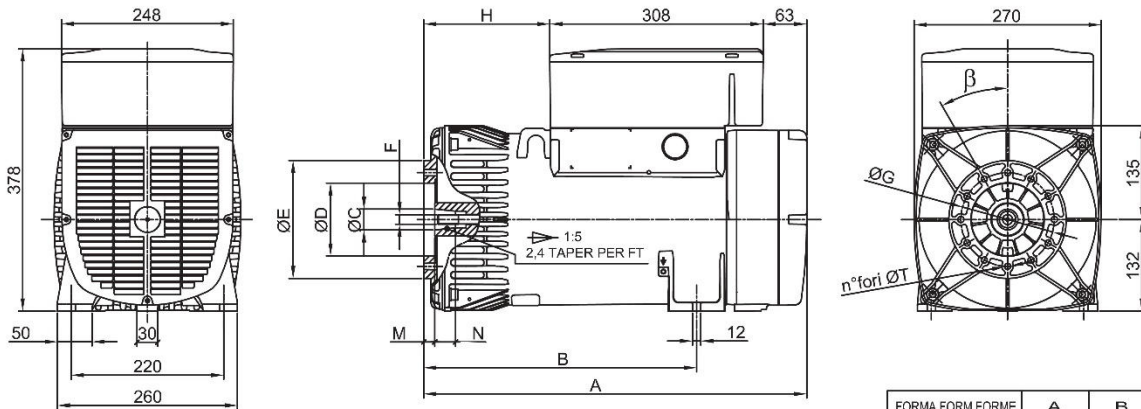
EFFICIENCY 60Hz

Efficiency Curves @ 60Hz



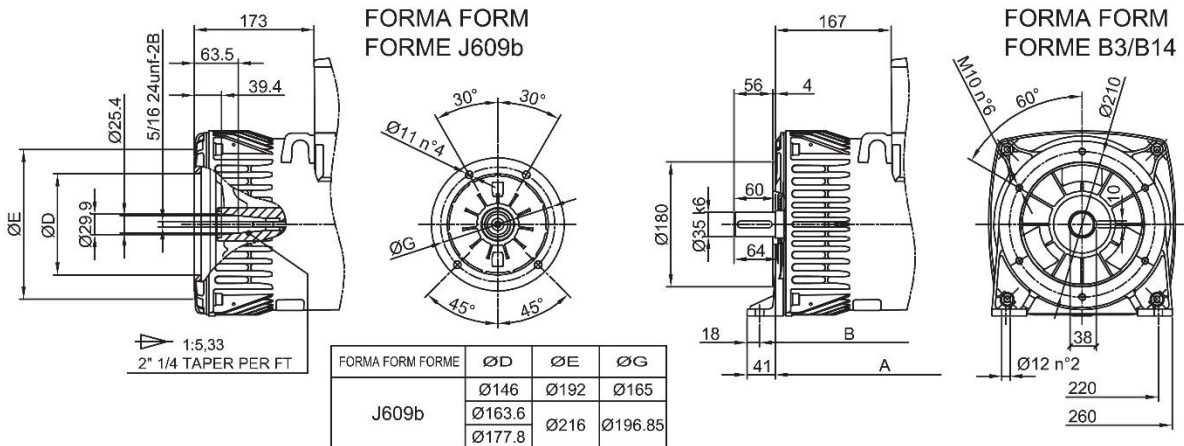
E1X13M D/2

FORMA FORM FORME B3/B9



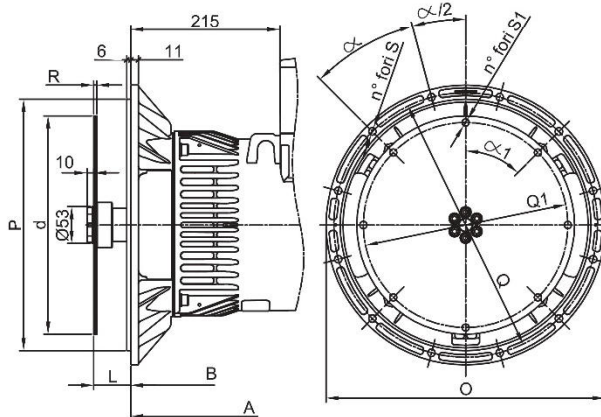
FORMA FORM FORME	ØC	ØD	ØE	F	ØG	H	M	N	n° fori	ØT	β
cono Ø30	Ø30	Ø105	Ø170	M14x1.5	Ø135	182	16	30	12	Ø9	30°
cono Ø38	Ø38	Ø125	Ø185	M18x1.5	Ø150	173	5	30	4	Ø11	β/2 45°

FORMA FORM FORME	A	B
B3B9 cono Ø30	553	394
B3B9 c.Ø38-J609b	544	385
B3/B14	538	402
MD35 - LOMB. STD	586	427

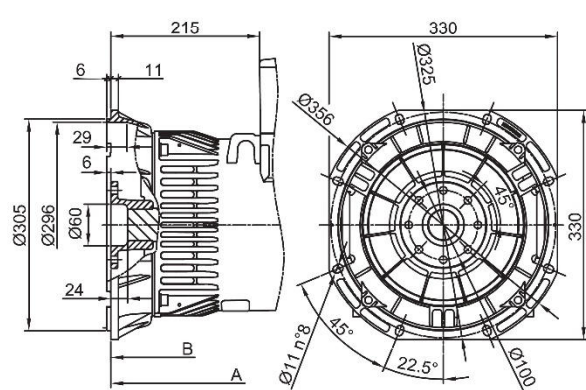


FORMA FORM FORME	ØD	ØE	ØG
J609b	Ø146	Ø192	Ø165
	Ø163.6	Ø216	Ø196.85
	Ø177.8		

FORMA FORM FORME MD35



FORMA FORM FORME LOMBARDINI STD



SAE N.	FLANGIE - BRIDE - FLANGE					α
	O	P	Q	n. fori	S	
5	356	314.3	333.4	8	11	45°
4	403	362	381	12		30
3	451	409.6	428.6	12		30

SAE N.	GIUNTI A DISCO - DISC COUPLING - ACC. DISQUE						
	L	d	Q1	n. fori	S1	α1	R
6 1/2	30.2	215.9	200	6	9	60°	3
7 1/2	30.2	241.3	222.25	8	9	45°	
8	62	263.52	244.47	6	10.5	60°	4.5
10	53.8	314.32	295.27	8	10.5	45°	
11 1/2	39.6	352.42	333.37	8	10.5	45°	