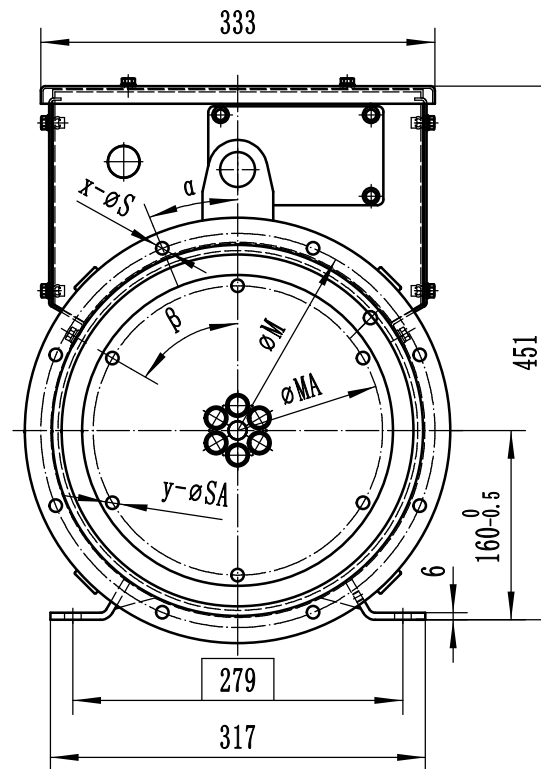
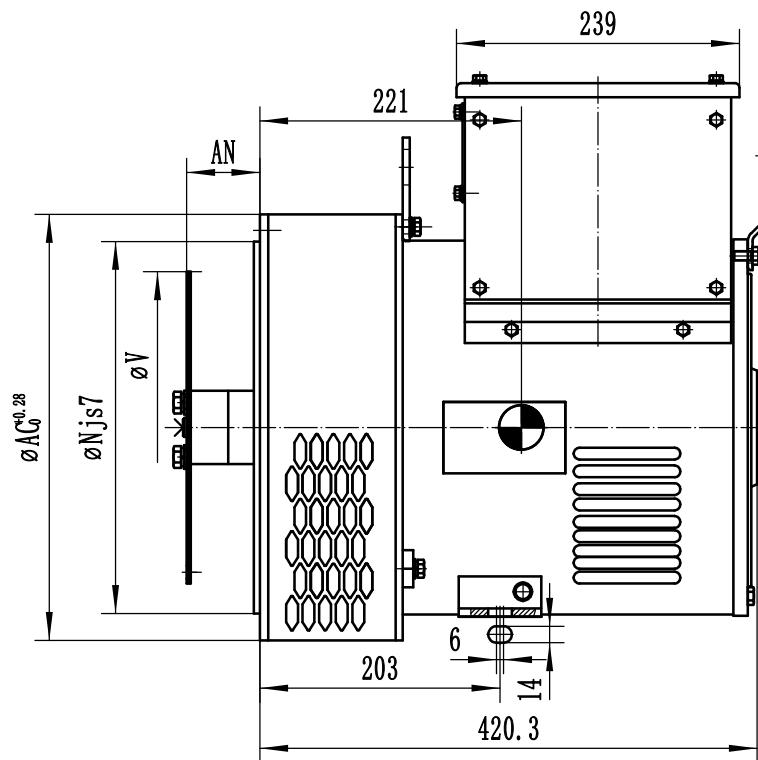



分送



| Flange | Coupling | | | | |
|--------|----------|------|----|-----|-------|
| | 6.5# | 7.5# | 8# | 10# | 11.5# |
| 5 | ○ | ○ | ○ | | |
| 4 | ○ | ○ | ○ | ○ | |
| 3 | | | ○ | ○ | ○ |

| SAE | Flange | | | | |
|-----|-----------|----------|----------|----|------|
| | ϕAC | ϕN | ϕM | x | S |
| 5 | 360 | 314.3 | 333.4 | 8 | 11.5 |
| 4 | 400 | 361.96 | 381 | 12 | 11.5 |
| 3 | 450 | 409.57 | 428.6 | 12 | 11.5 |

| SAE. | Coupling | | | | |
|-------|----------|----------|-----------|---|-----------|
| | AN | ϕV | ϕMA | y | ϕSA |
| 11.5# | 39.6 | 352.3 | 333.4 | 8 | 11 |
| 10# | 53.85 | 314.2 | 295.3 | 8 | 11 |
| 8# | 61.9 | 263.4 | 244.5 | 6 | 11 |
| 7.5# | 30.2 | 241.2 | 222.2 | 8 | 8.7 |
| 6.5# | 30.2 | 215.8 | 200 | 6 | 8.7 |

NOTES: 1  Gravity point
 2 Size of the unit is mm
 3 Protection grade is IP21 or IP23

| | | | | | |
|-----|--|------|--|---------------|----------------------------------|
| DRN | | AUD | | OTC. 300. 319 | TCU168B DIMENSION |
| CHD | | APPD | | SCALE VERSION | |
| | | | | | EvoTec Power Generation Co., Ltd |

借(通)用
 件 登 记
 旧底图总号
 底图总号
 签 字
 日 期
 档案员 日期