



NPE32

MECCALTE spa - Via Roma, 20 - 36051 CREAZZO (VI) ITALY
Tel. +39 0444/396111 - Fax +39 0444/396166 - e-mail: info@meccalte.it
website: www.meccalte.com

C-TYPE
2 POLE

CHARACTERISTICS

50 Hz

Type	3 PHASE (0.8 p.f.) 115/200/230/400V								
	CL. H		CL. F		Air volume m ³ /min	Noise		Weight Kg	J Kgm ²
	Power kVA	Efficiency %	Power kVA	Efficiency %		7m dBA	1m dBA		
NPE32 1M2 C	13,5	82,8	12,3	83	13,2	75	86	90	0,141
NPE32 2M2 C	21	83,5	19	83,6	13,2	75	86	102	0,160
NPE32 L2 C	26	84,2	23,8	84,4	13,2	75	86	120	0,188
NPE32 1VL2 C	32	85,6	28,8	85,8	13,2	75	86	134	0,231

60 Hz

Type	3 PHASE (0.8 p.f.) 138/240/277/480V								
	CL. H		CL. F		Air volume m ³ /min	Noise		Weight Kg	J Kgm ²
	Power kVA	Efficiency %	Power kVA	Efficiency %		7m dBA	1m dBA		
NPE32 1M2 C	16,5	84,6	15	84,7	15,1	78	91	90	0,141
NPE32 2M2 C	25,5	85,3	23	85,4	15,1	78	91	102	0,160
NPE32 L2 C	31,5	86	29	86,1	15,1	78	91	120	0,188
NPE32 1VL2 C	38,4	87,4	35	87,5	15,1	78	91	134	0,231

ACCESSORIES

REGULATOR				PARALLEL DEVICE	THERMAL PROTECTION			HEATERS	MECHANICAL PROTECTION		
DSR	DER-1	SR7/2	UVR6		PTC	BIMET DEVICE	PT100		IP21	IP23	IP45
<input checked="" type="checkbox"/>	<input type="checkbox"/>	<input type="checkbox"/>	<input type="checkbox"/>	<input type="checkbox"/>	<input type="checkbox"/>	<input type="checkbox"/>	<input type="checkbox"/>	<input type="checkbox"/>	<input checked="" type="checkbox"/>	<input type="checkbox"/>	

● = Standard

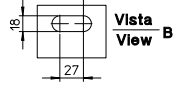
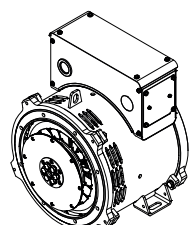
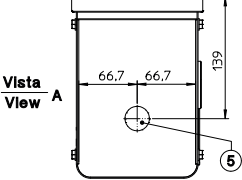
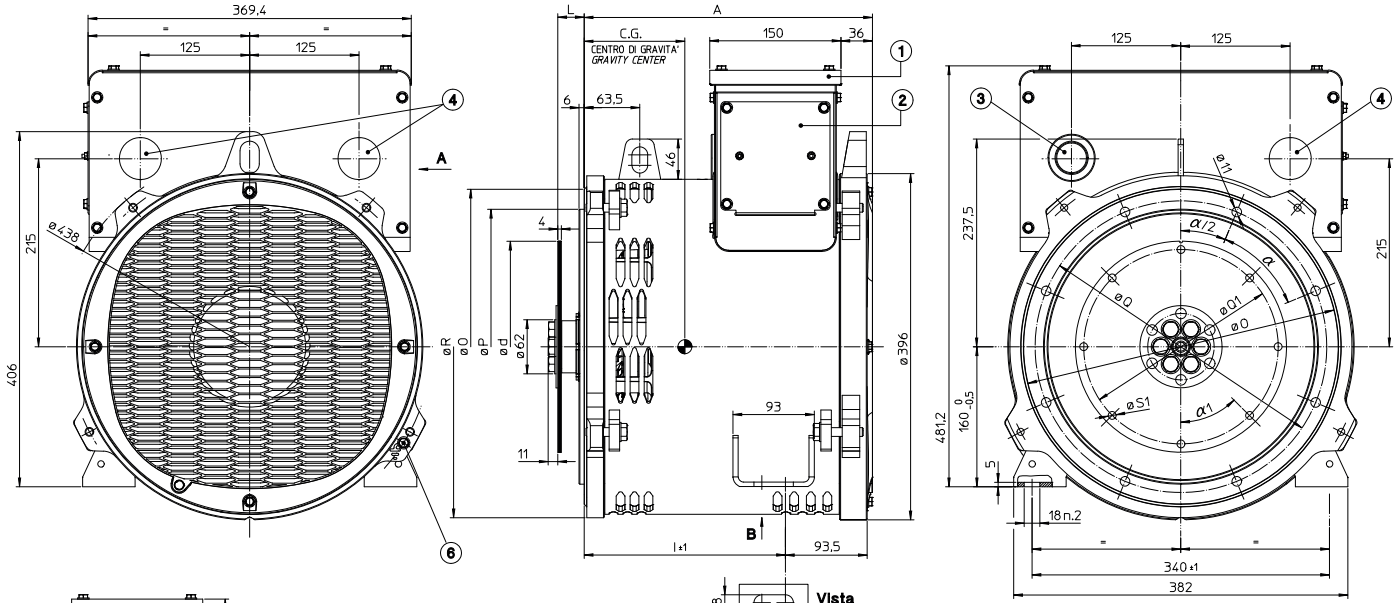
□ = Optional



OVERALL DIMENSIONS

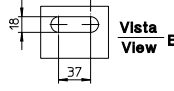
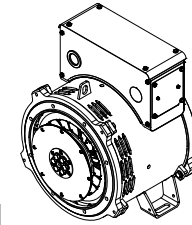
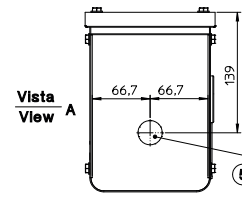
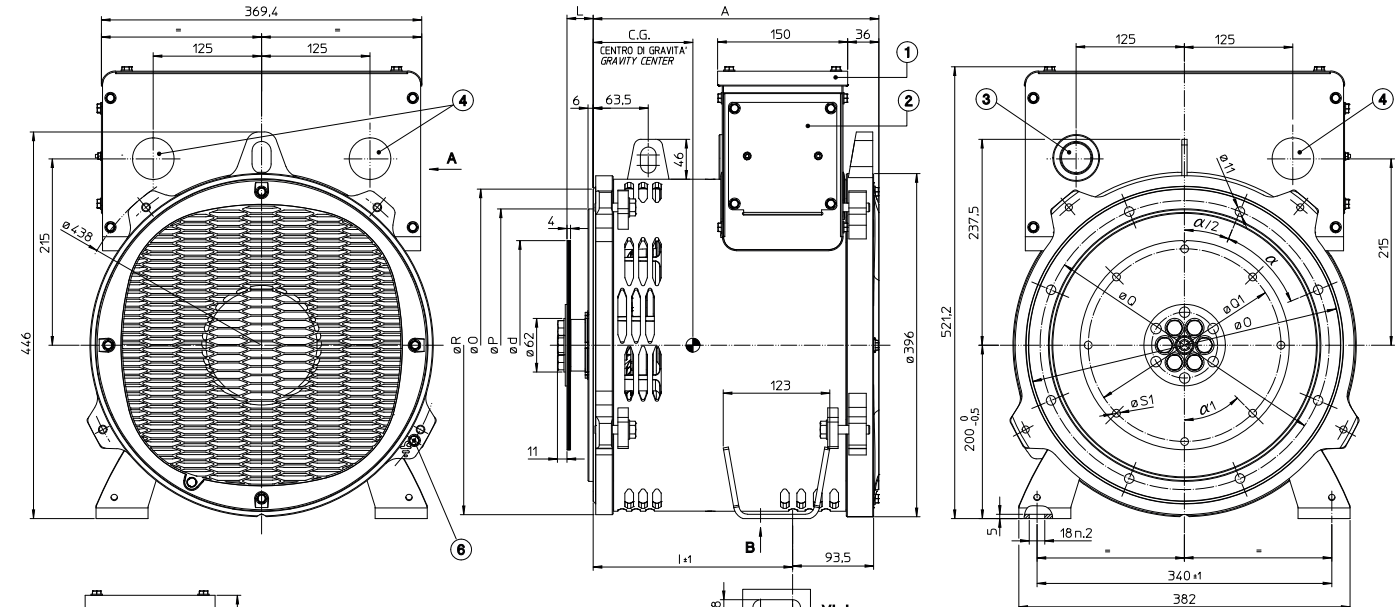


dimensions in mm.



- 1) COPERCHIO REMOVIBILE PER ACCESSO AL TERMINALI PRINCIPALI
REMOVABLE COVER FOR ACCESS TO MAIN TERMINALS
- 2) PANNELLO REMOVIBILE PER ACCESSO AL REGOLATORE
REMOVABLE PANEL FOR ACCESS TO AVR
- 3) FORO STANDARD PER INGRESSO CAVI Ø48
STANDARD HOLE ON FRONT FOR CABLE ENTRY Ø48
- 4) PRE-TAGLIO SU PANNELLO PRINCIPALE PER INGRESSO CAVI Ø48
PRE-CUT ON MAIN PANEL FOR CABLE ENTRY Ø48
- 5) PRE-TAGLIO SU PANNELLO LATERALE PER INGRESSO CAVI Ø28
PRE-CUT ON LATERAL PANEL FOR CABLE ENTRY Ø28
- 6) VITE M6 PER MESSA A TERRA
SCREW M6 FOR BODY EARTHING

Serie Series	Modello Model	A	I	C.G.	GRUNTI A DISCHI / DISC COUPLING DISQUE DE MONPALIER / SCHEIBENKOPPLUNG					FLANGIA / FLANGE BRIDE / FLANSCH							
					SAE N	d	L	Q1	S1	α1	SAE N	R	O	P	Q	α	
NPE 32	1M2 C	314	215	157	6 1/2	215.9	30.2	200	9	60°	5	391	360	314.3	333.4	45°	
	2M2 C	314	215	149	7 1/2	241.3	30.2	222.25	9	45°	4	413	403	362	381	30°	
	L2 C	329	230	156	8	263.52	62	244.47	11	60°	3	453	451	409.6	428.6	30°	
	1VL2 C	369	270	175	10	314.32	53.8	295.27	11	45°							
					11 1/2	352.42	39.6	333.37	11	45°							



- 1) COPERCHIO REMOVIBILE PER ACCESSO AL TERMINALI PRINCIPALI
REMOVABLE COVER FOR ACCESS TO MAIN TERMINALS
- 2) PANNELLO REMOVIBILE PER ACCESSO AL REGOLATORE
REMOVABLE PANEL FOR ACCESS TO AVR
- 3) FORO STANDARD PER INGRESSO CAVI Ø48
STANDARD HOLE ON FRONT FOR CABLE ENTRY Ø48
- 4) PRE-TAGLIO SU PANNELLO PRINCIPALE PER INGRESSO CAVI Ø48
PRE-CUT ON MAIN PANEL FOR CABLE ENTRY Ø48
- 5) PRE-TAGLIO SU PANNELLO LATERALE PER INGRESSO CAVI Ø28
PRE-CUT ON LATERAL PANEL FOR CABLE ENTRY Ø28
- 6) VITE M6 PER MESSA A TERRA
SCREW M6 FOR BODY EARTHING

Serie Series	Modello Model	A	I	C.G.	GRUNTI A DISCHI / DISC COUPLING DISQUE DE MONPALIER / SCHEIBENKOPPLUNG					FLANGIA / FLANGE BRIDE / FLANSCH						
					SAE N	d	L	Q1	S1	α1	SAE N	R	O	P	Q	α
NPE 32	1M2 C	314	215	157	6 1/2	215.9	30.2	200	9	60°	5	391	360	314.3	333.4	45°
	2M2 C	314	215	149	7 1/2	241.3	30.2	222.25	9	45°	4	413	403	362	381	30°
	L2 C	329	230	156	8	263.52	62	244.47	11	60°	3	453	451	409.6	428.6	30°
	1VL2 C	369	270	175	10	314.32	53.8	295.27	11	45°						
					11 1/2	352.42	39.6	333.37	11	45°						