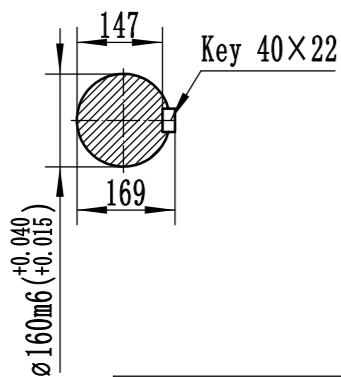
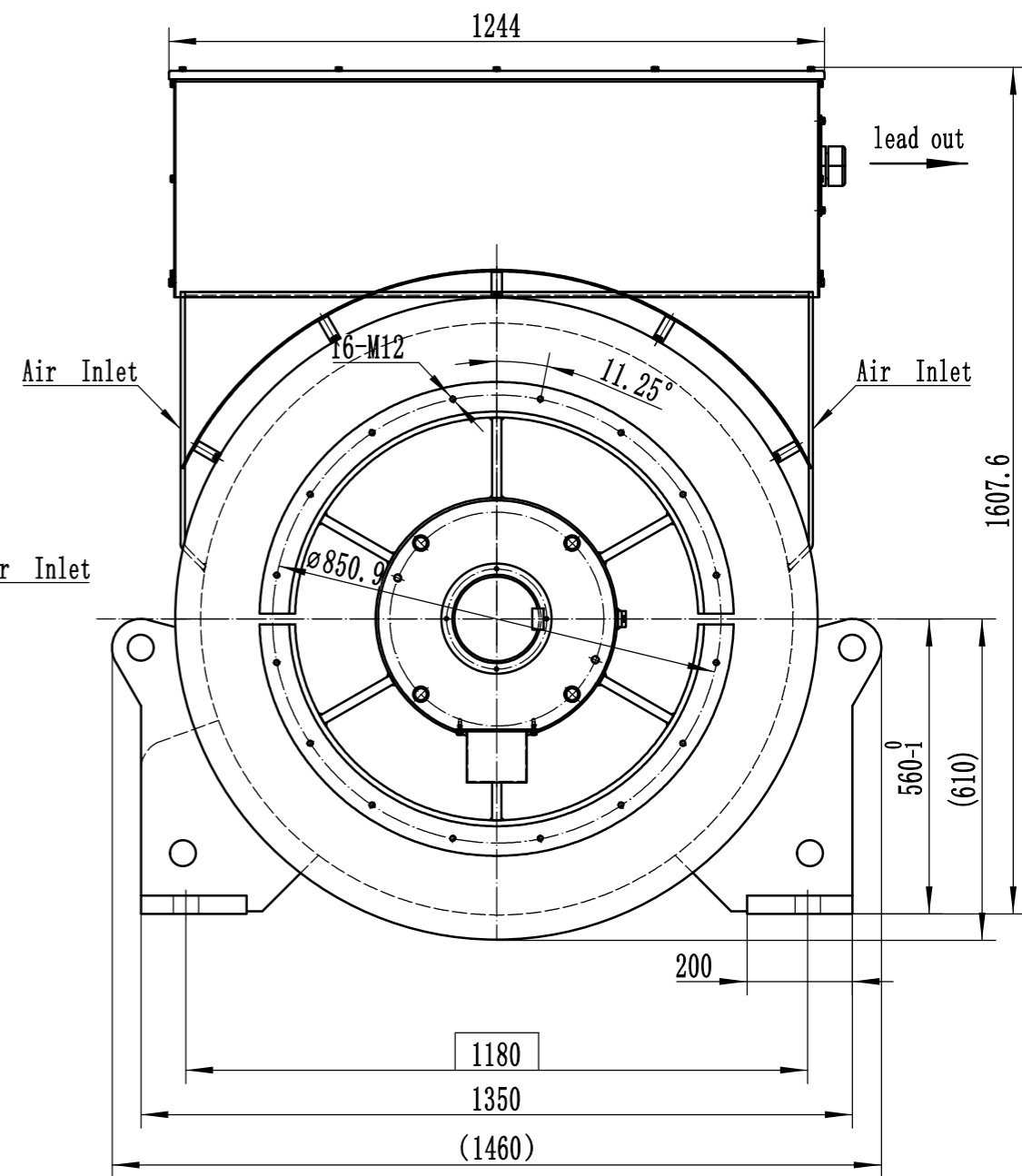
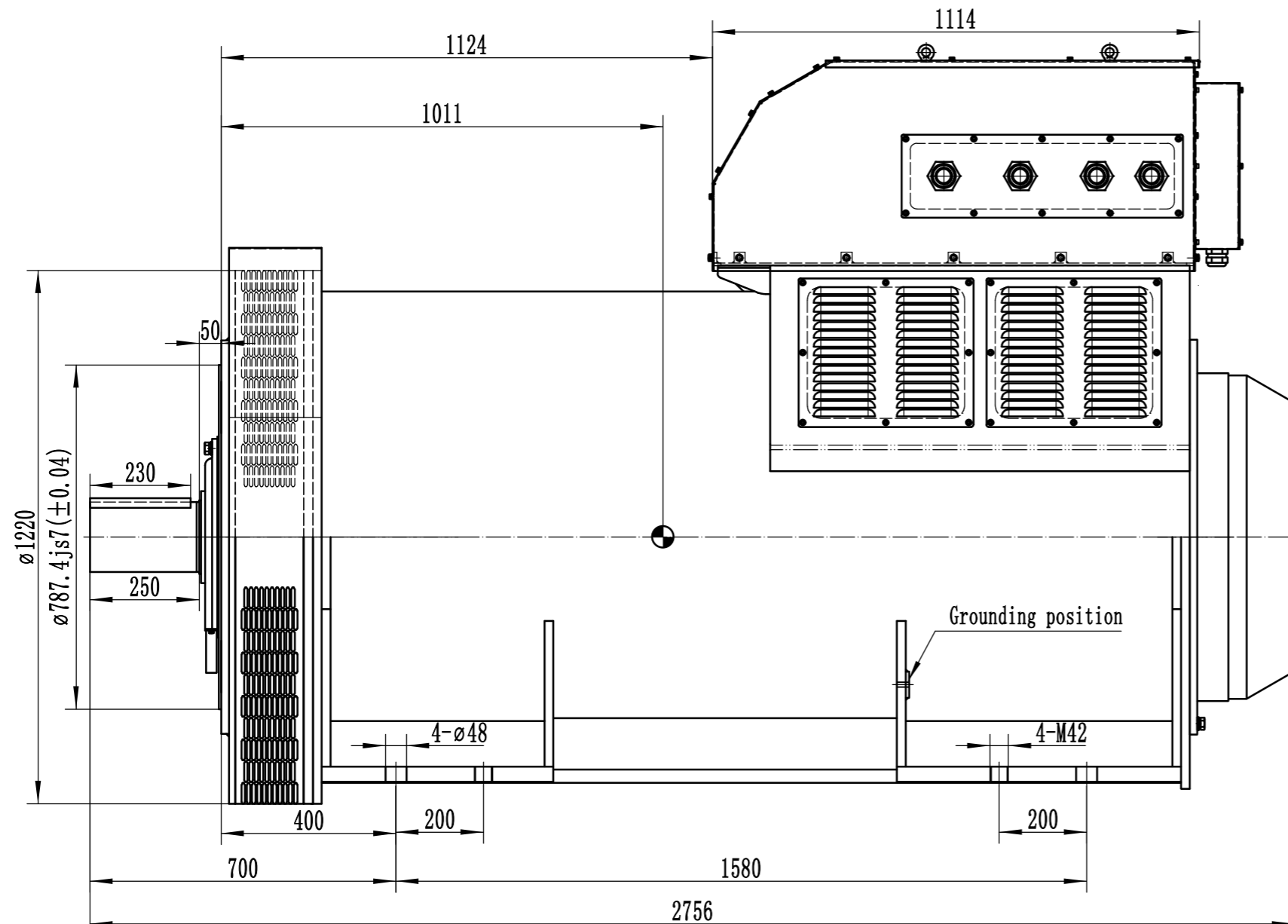


分送

OTH.300.737



Standard Configuration Details					Customers matching
3	Winding Temperature Element	WZP-HB-D-400	6	Three leader	
2	Bearing Temperature Element	WZPMA8.7×16B	2	M10X1/3X4500/3 leader	
1	Heater	HBQ22	2	220W/220VAC	
NO.	Accessories	Parts specifications	number	Technical Requirements	Note

Type	Rated Capacity KVA	Rated Power KW	Rated Voltage V	Rated Current A	Power Factor COS	Rated Speed r/min	Frequency Hz	Insulation Level	Protection Level	Cooling Way
TH568D	3250	2600	10500	178.7	0.8	1500	50	H	IP23	IC 01

DRN		AUD		OTH.300.737		TH568D	
CHD		APPD		SCALE	VERSION	EvoTec Power Generator Co.,Ltd	
				1:13	S		

借 (通) 用
件 登 记

旧底图总号

底图总号

签 字

日 期

档案员 日期